

# 0.50mm

(0.02") PITCH CONNECTOR

## FPC/FFC Connectors

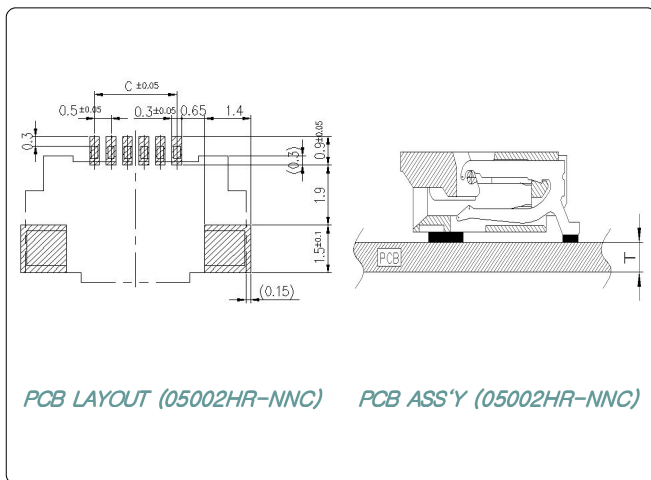
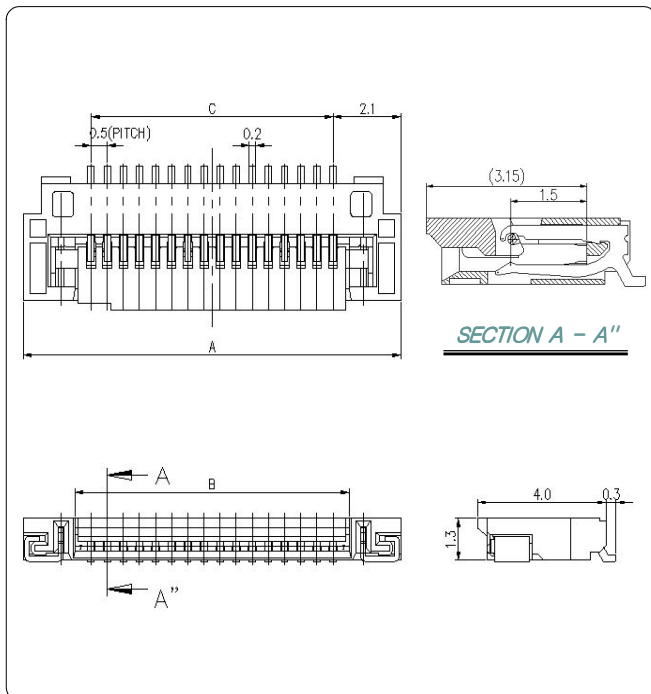
### Housing

Emboss Type

SMT Type

Bottom Contact

ZIF Type



### Material

I/NO	DESCRIPTION	MATERIAL
1	HOUSING	LCP, UL94V-0
2	ACTUATOR	PPS(BK), UL94V-0
3	TERMINAL	Phosphor Bronze, Tin/Au-plated
4	HOOK	Phosphor Bronze, Tin/Au-plated

### Available Pin

PARTS NO.	A	B	C
05002HR-10C	8.70	5.50	4.50
05002HR-11C	9.20	6.00	5.00
05002HR-12C	9.70	6.50	5.50
05002HR-13C	10.2	7.00	6.00
05002HR-14C	10.7	7.50	6.50
05002HR-15C	11.2	8.00	7.00
05002HR-16C	11.7	8.50	7.50
05002HR-17C	12.2	9.00	8.00
05002HR-18C	12.7	9.50	8.50
05002HR-19C	13.2	10.0	9.00
05002HR-20C	13.7	10.5	9.50
05002HR-21C	14.2	11.0	10.0
05002HR-22C	14.7	11.5	10.5
05002HR-23C	15.2	12.0	11.0
05002HR-24C	15.7	12.5	11.5
05002HR-25C	16.2	13.0	12.0
05002HR-26C	16.7	13.5	12.5
05002HR-27C	17.2	14.0	13.0
05002HR-28C	17.7	14.5	13.5
05002HR-29C	18.2	15.0	14.0
05002HR-30C	18.7	15.5	14.5
05002HR-31C	19.2	16.0	15.0
05002HR-32C	19.7	16.5	15.5
05002HR-33C	20.2	17.0	16.0
05002HR-34C	20.7	17.5	16.5
05002HR-35C	21.2	18.0	17.0
05002HR-36C	21.7	18.5	17.5
05002HR-37C	22.2	19.0	18.0
05002HR-38C	22.7	19.5	18.5
05002HR-39C	23.2	20.0	19.0
05002HR-40C	23.7	20.5	19.5
05002HR-41C	24.2	21.0	20.0
05002HR-42C	24.7	21.5	20.5
05002HR-43C	25.2	22.0	21.0
05002HR-44C	25.7	22.5	21.5
05002HR-45C	26.2	23.0	22.0
05002HR-46C	26.7	23.5	22.5
05002HR-47C	27.2	24.0	23.0
05002HR-48C	27.7	24.5	23.5
05002HR-49C	28.2	25.0	24.0
05002HR-50C	28.7	25.5	24.5

### Specification

ITEM	SPEC
Voltage Rating	AC/DC 50V
Current Rating	AC/DC 0.4A
Operating Temperature	-25℃ ~ +85℃
Contact Resistance	30mΩ MAX
Withstanding Voltage	AC150V/1min
Insulation Resistance	100MΩ MIN
Applicable Wire	-
Applicable P.C.B	0.8 ~ 1.6mm
Applicable FPC/FFC	0.30±0.02mm
Solder Height	0.15mm
Crimp Tensile Strength	-
UL FILE NO	-