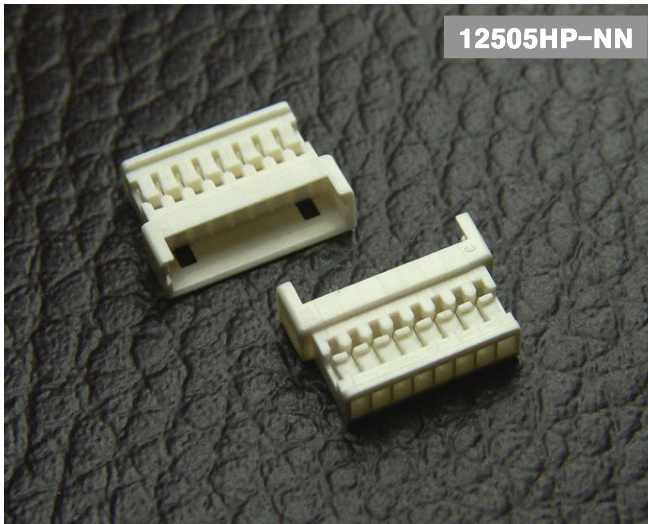


# 1.25mm

## (0.049") PITCH CONNECTOR



### Material

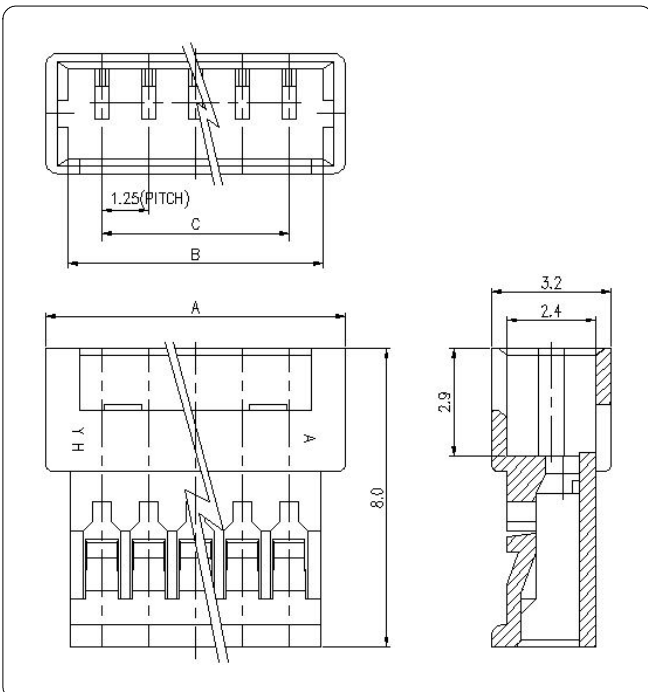
| I/NO | DESCRIPTION | MATERIAL          |
|------|-------------|-------------------|
| 1    | PLUG        | NYLON 66, UL94V-0 |

**Wire to Wire  
Connectors**

**Plug**

### Available Pin

| PARTS NO.  | A     | B     | C     |
|------------|-------|-------|-------|
| 12505HP-02 | 4.25  | 3.05  | -     |
| 12505HP-03 | 5.50  | 4.30  | 2.50  |
| 12505HP-04 | 6.75  | 5.55  | 3.75  |
| 12505HP-05 | 8.00  | 6.80  | 5.00  |
| 12505HP-06 | 9.25  | 8.05  | 6.25  |
| 12505HP-07 | 10.50 | 9.30  | 7.50  |
| 12505HP-08 | 11.75 | 10.55 | 8.75  |
| 12505HP-09 | 13.00 | 11.80 | 10.00 |
| 12505HP-10 | 14.25 | 13.05 | 11.25 |
| 12505HP-11 | 15.50 | 14.30 | 12.50 |
| 12505HP-12 | 16.75 | 15.55 | 13.45 |



### Specification

| ITEM                   | SPEC          |
|------------------------|---------------|
| Voltage Rating         | AC/DC 125V    |
| Current Rating         | AC/DC 1A      |
| Operating Temperature  | -25°C ~ +85°C |
| Contact Resistance     | 30mΩ MAX      |
| Withstanding Voltage   | AC250V/1min   |
| Insulation Resistance  | 100MΩ MIN     |
| Applicable Wire        | AWG#28~#32    |
| Applicable P.C.B       | -             |
| Applicable FPC/FFC     | -             |
| Solder Height          | -             |
| Crimp Tensile Strength | -             |
| UL FILE NO             | -             |

◆ Applicable Housing : 12505HS-NN

◆ Applicable Terminal : 12505TP

