

1.25mm

(0.049'') PITCH CONNECTOR

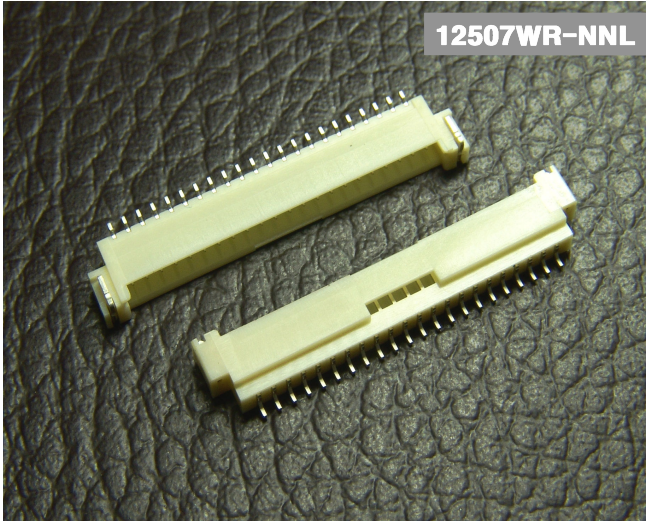
Wire to Board Connectors

Wafer

Emboss Type

SMT Type

Right Angle



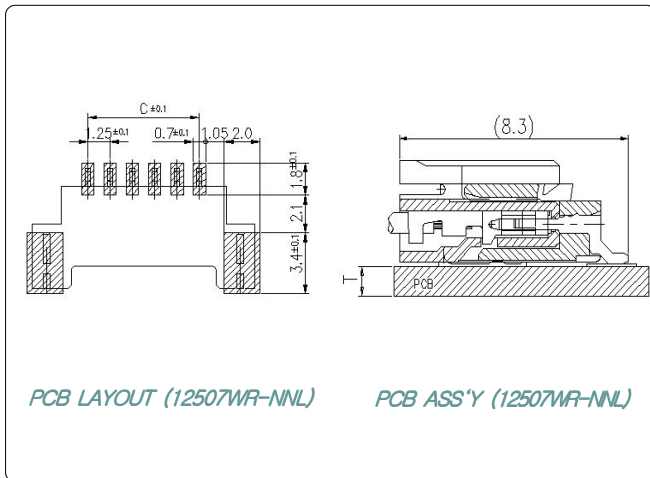
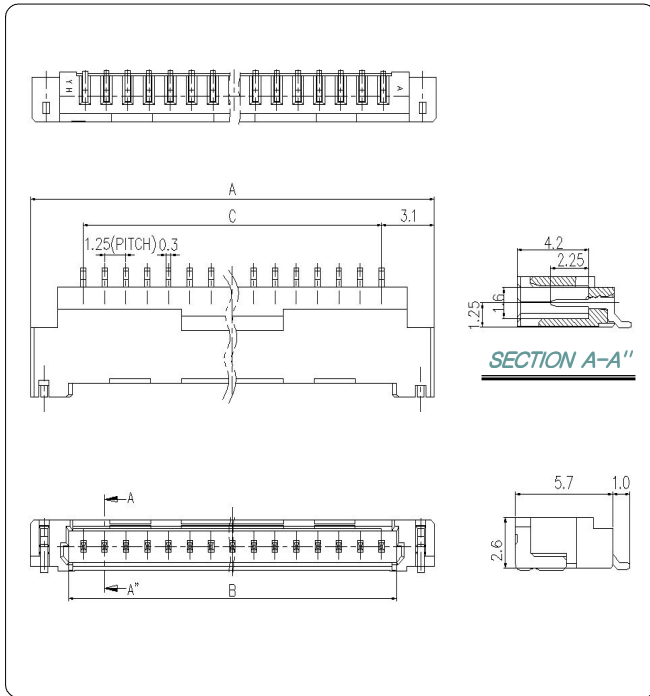
12507WR-NNL

Material

I/NO	DESCRIPTION	MATERIAL
1	WAFER	PA46 or PA6T
2	PIN	Phosphor Bronze, Tin-plated
3	HOOK	Brass, Tin-plated

Available Pin

PARTS NO.	A	B	C
12507WR-02L	7.45	3.00	1.25
12507WR-03L	8.70	4.25	2.50
12507WR-04L	9.95	5.50	3.75
12507WR-05L	11.20	6.75	5.00
12507WR-06L	12.45	8.00	6.25
12507WR-07L	13.70	9.25	7.50
12507WR-08L	14.95	10.50	8.75
12507WR-09L	16.20	11.75	10.00
12507WR-10L	17.45	13.00	11.25
12507WR-11L	18.70	14.25	12.50
12507WR-12L	19.95	15.50	13.75
12507WR-13L	21.20	16.75	15.00
12507WR-14L	22.45	18.00	16.25
12507WR-15L	23.70	19.25	17.50
12507WR-20L	29.95	25.50	23.75
12507WR-25L	36.20	31.75	30.00
12507WR-30L	42.45	38.00	36.25



Specification

ITEM	SPEC
Voltage Rating	AC/DC 125V
Current Rating	AC/DC 1A
Operating Temperature	-25°C ~ +85°C
Contact Resistance	30mΩ MAX
Withstanding Voltage	AC250V/1min
Insulation Resistance	100MΩ MIN
Applicable Wire	-
Applicable P.C.B	0.8 ~ 1.6mm
Applicable FPC/FFC	-
Solder Height	0.15mm
Crimp Tensile Strength	-
UL FILE NO	-