

1.25mm

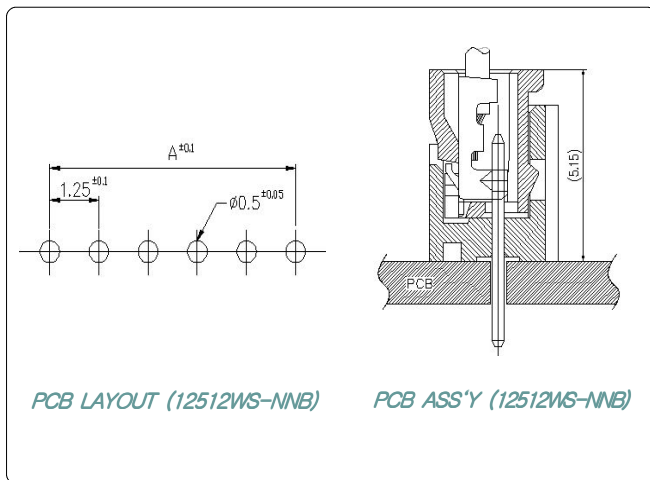
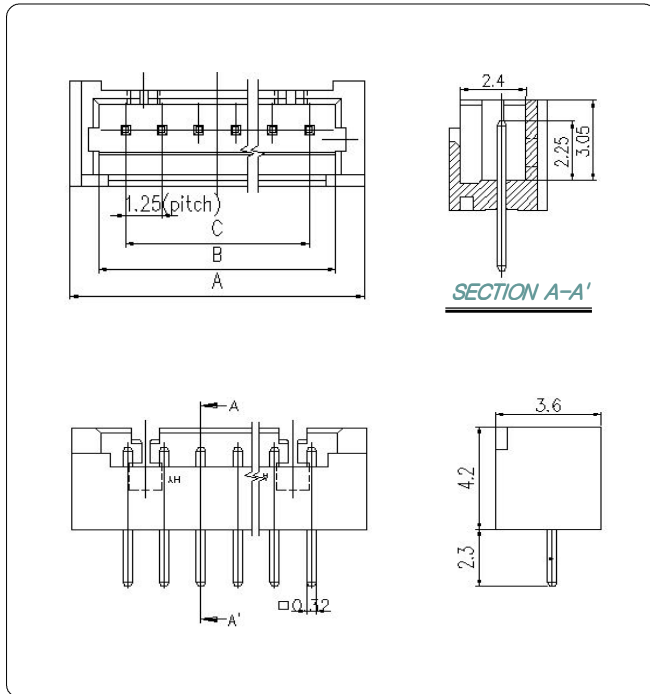
(0.049'') PITCH CONNECTOR

Wire to Board Connectors

Wafer

Straight

Dip Type



Material

I/NO	DESCRIPTION	MATERIAL
1	WAFER	PA46 or PA6T, UL94V-0
2	PIN	Brass, Tin-plated

Available Pin

PARTS NO.	A	B	C
12512WS-02B	5.00	3.05	1.25
12512WS-03B	6.25	4.30	2.50
12512WS-04B	7.50	5.55	3.75
12512WS-05B	8.75	6.80	5.00
12512WS-06B	10.00	8.05	6.25
12512WS-07B	11.25	9.30	7.50
12512WS-08B	12.50	10.55	8.75
12512WS-09B	13.75	11.80	10.00
12512WS-10B	15.00	13.05	11.25
12512WS-11B	16.25	14.30	12.50
12512WS-12B	17.50	15.55	13.75
12512WS-13B	18.75	16.80	15.00
12512WS-14B	20.00	18.05	16.25
12512WS-15B	21.25	19.30	17.50

Specification

ITEM	SPEC
Voltage Rating	AC/DC 250V
Current Rating	AC/DC 1A
Operating Temperature	-25°C~+85°C
Contact Resistance	30mΩ MAX
Withstanding Voltage	AC250V/1min
Insulation Resistance	100MΩ MIN
Applicable Wire	-
Applicable P.C.B	1.2 ~ 1.6mm
Applicable FPC/FFC	-
Solder Height	-
Crimp Tensile Strength	-
UL FILE NO	-

◆ Applicable Housing : 12505HS-NN