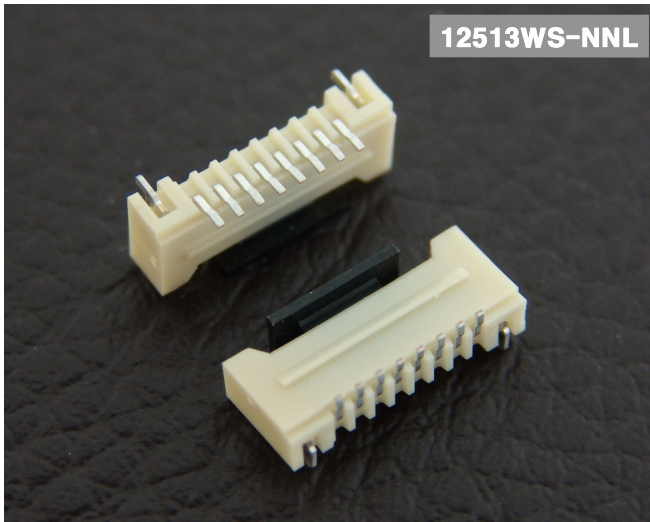


# 1.25mm

(0.049") PITCH CONNECTOR



12513WS-NNL

## Material

I/NO	DESCRIPTION	MATERIAL
1	WAFER	PA6T, UL94V-0
2	PIN	Brass, Tin-plated
3	HOOK	Brass, Tin-plated

**Wire to Board  
Connectors**

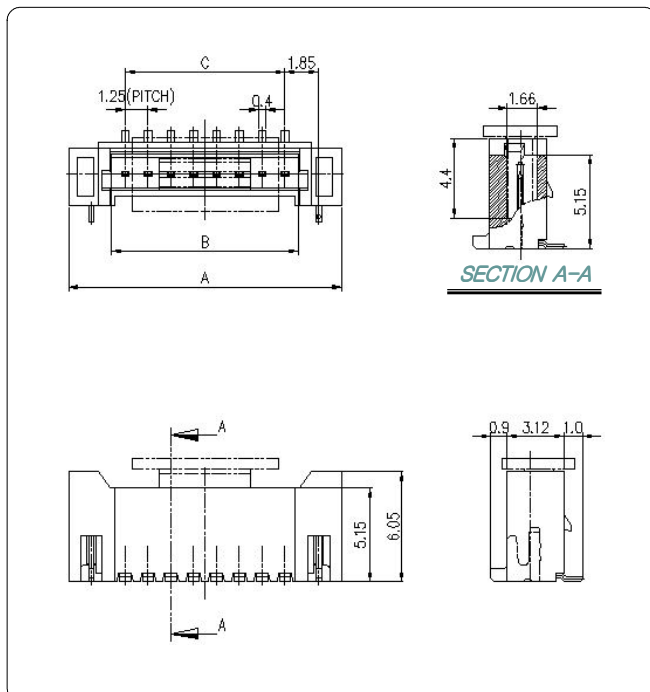
Wafer

Straight

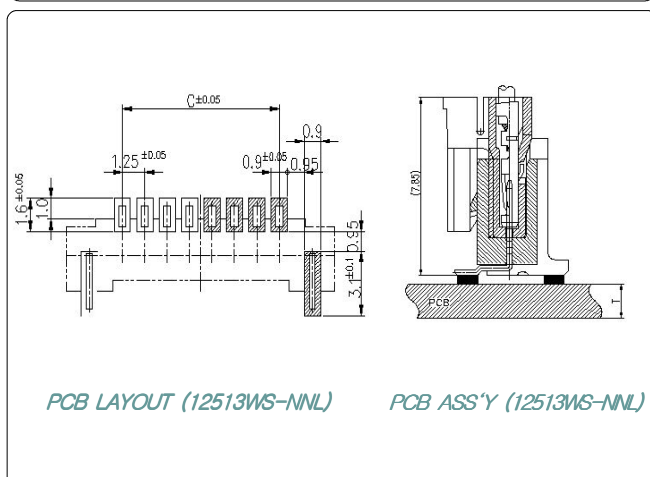
SMT  
Type

## Available Pin

PARTS NO.	A	B	C
12513WS-04L	9.95	5.25	3.75
12513WS-05L	11.20	6.50	5.00
12513WS-06L	12.45	7.75	6.25
12513WS-07L	13.70	9.00	7.50
12513WS-08L	14.95	10.25	8.75
12513WS-09L	16.20	11.50	10.00
12513WS-14L	22.45	17.75	16.25
12513WS-15L	23.70	19.00	17.50
12513WS-20L	29.95	25.25	23.75
12513WS-30L	42.45	37.75	36.25



SECTION A-A



PCB LAYOUT (12513WS-NNL)

PCB ASS'Y (12513WS-NNL)

## Specification

ITEM	SPEC
Voltage Rating	AC/DC 125V
Current Rating	AC/DC 1A
Operating Temperature	-25°C~+85°C
Contact Resistance	30mΩ MAX
Withstanding Voltage	AC250V/1min
Insulation Resistance	100MΩ MIN
Applicable Wire	-
Applicable P.C.B	0.8~1.6mm
Applicable FPC/FFC	-
Solder Height	0.15mm
Crimp Tensile Strength	-
UL FILE NO	-