

2.00mm

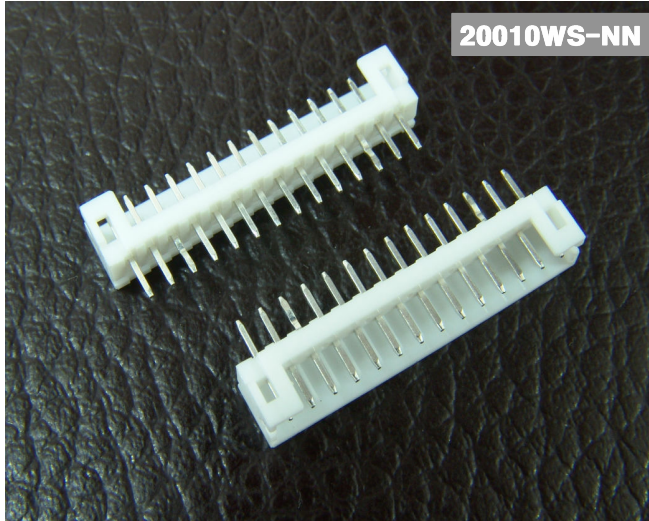
(0.079") PITCH CONNECTOR

Wire to Board Connectors

Wafer

Straight

Dip Type



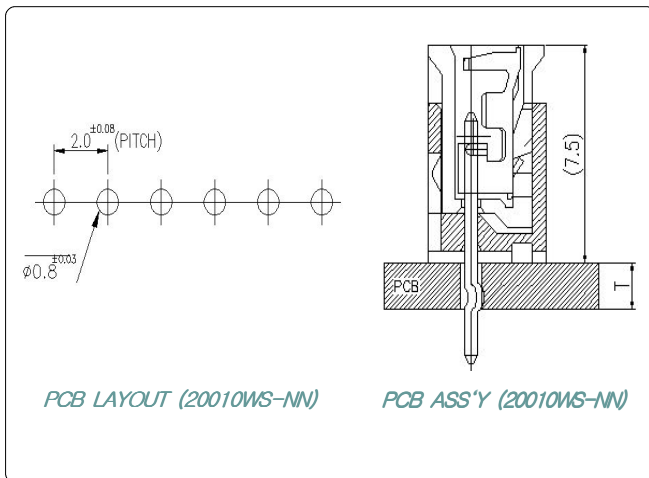
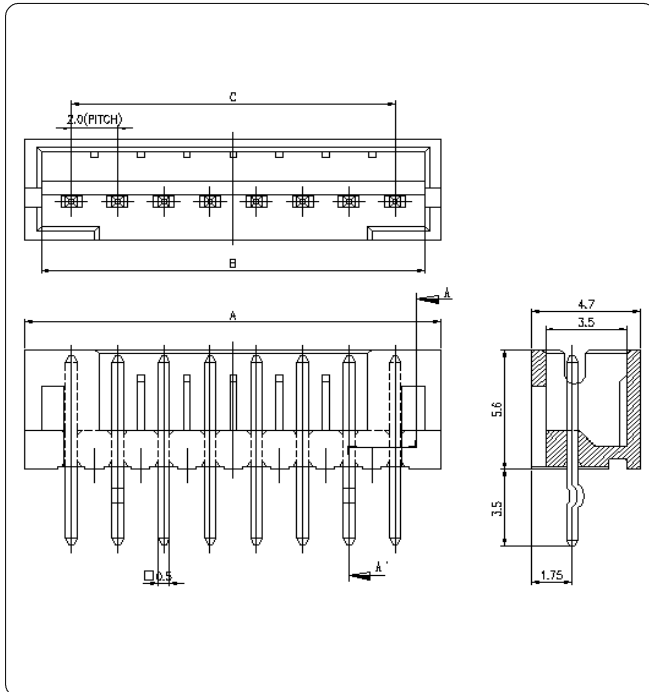
20010WS-NN

Material

I/NO	DESCRIPTION	MATERIAL
1	WAFER	PA66, UL94V-0
2	PIN	Brass, Tin-plated

Available Pin

PARTS NO.	A	B	C
20010WS-02	6.0	4.6	2.0
20010WS-03	8.0	6.6	4.0
20010WS-04	10.0	8.6	6.0
20010WS-05	12.0	10.6	8.0
20010WS-06	14.0	12.6	10.0
20010WS-07	16.0	14.6	12.0
20010WS-08	18.0	16.6	14.0
20010WS-09	20.0	18.6	16.0
20010WS-10	22.0	20.6	18.0
20010WS-11	24.0	22.6	20.0
20010WS-12	26.0	24.6	22.0
20010WS-13	28.0	26.6	24.0
20010WS-14	30.0	28.6	26.0
20010WS-15	32.0	30.6	28.0



Specification

ITEM	SPEC
Voltage Rating	AC/DC 250V
Current Rating	AC/DC 2A
Operating Temperature	-25°C~+85°C
Contact Resistance	30mΩ MAX
Withstanding Voltage	AC1000V/1min
Insulation Resistance	1000MΩ MIN
Applicable Wire	-
Applicable P.C.B	1.2~1.6mm
Applicable FPC/FFC	-
Solder Height	-
Crimp Tensile Strength	-
UL FILE NO	-