

2.00mm

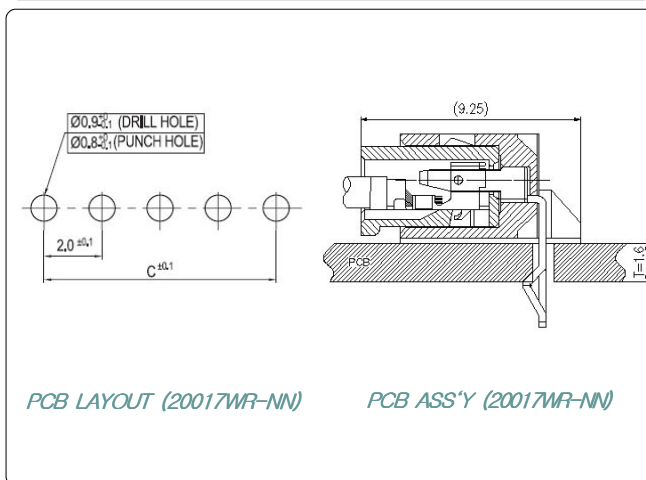
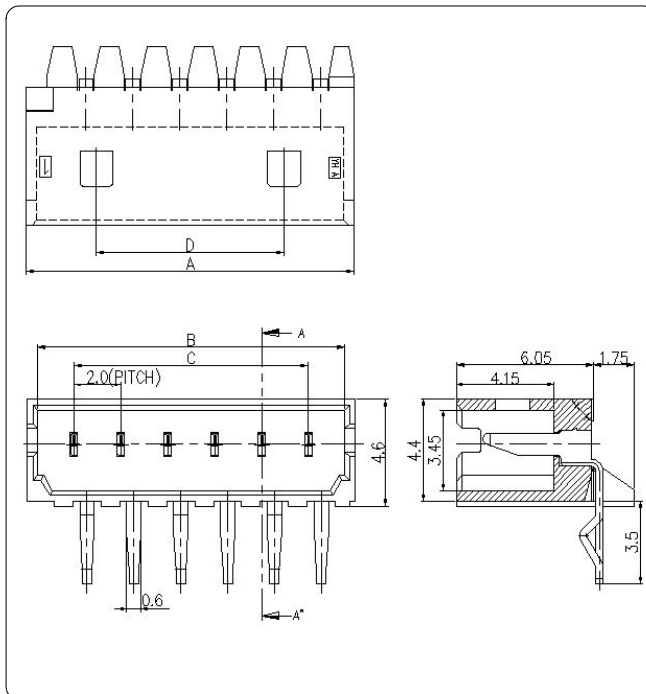
(0.079'') PITCH CONNECTOR

Wire to Board Connectors

Wafer

Right Angle

Dip Type



Material

I/NO	DESCRIPTION	MATERIAL
1	WAFER	NYLON.66, UL94V-0
2	PIN	Brass, Tin-plated

Available Pin

PARTS NO.	A	B	C	D
20017WR-02	6.0	5.1	-	-
20017WR-03	8.0	7.1	4.0	-
20017WR-04	10.0	9.1	6.0	4.0
20017WR-05	12.0	11.1	8.0	6.0
20017WR-06	14.0	13.1	10.0	8.0
20017WR-07	16.0	15.1	12.0	10.0
20017WR-08	18.0	17.1	14.0	12.0
20017WR-09	20.0	19.1	16.0	14.0
20017WR-10	22.0	21.1	18.0	16.0
20017WR-11	24.0	23.1	20.0	18.0
20017WR-12	26.0	25.1	22.0	20.0
20017WR-13	28.0	27.1	24.0	22.0
20017WR-14	30.0	29.1	26.0	24.0
20017WR-15	32.0	31.1	28.0	26.0

Specification

ITEM	SPEC
Voltage Rating	AC/DC 125V
Current Rating	AC/DC 2A
Operating Temperature	-25°C~+85°C
Contact Resistance	30mΩ MAX
Withstanding Voltage	AC500V/1min
Insulation Resistance	1000MΩ MIN
Applicable Wire	-
Applicable P.C.B	1.2~1.6mm
Applicable FPC/FFC	-
Solder Height	-
Crimp Tensile Strength	-
UL FILE NO	-