

2.00mm

(0.079") PITCH CONNECTOR



20037WR-NN

Material

I/NO	DESCRIPTION	MATERIAL
1	WAFER	PA6T, UL94V-0
2	PIN	Brass, Tin-plated
3	HOOK	Brass, Tin-plated

Wire to Board Connectors

Wafer

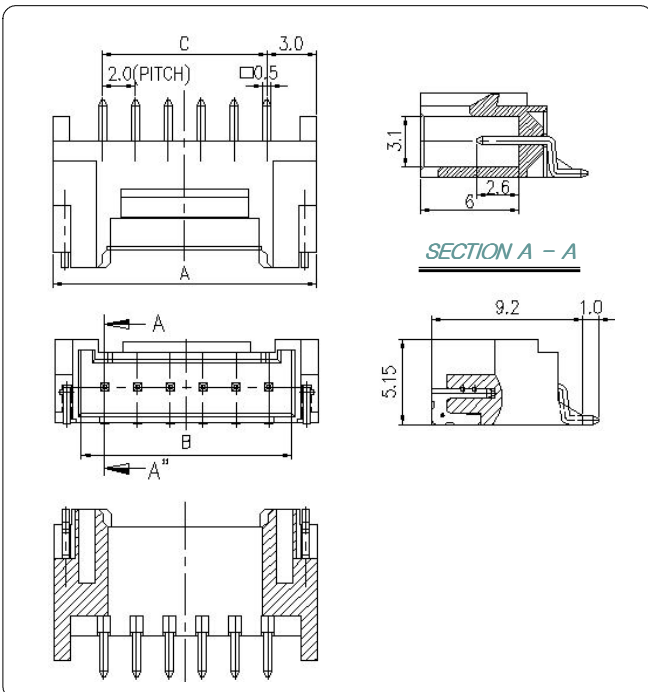
Emboss Type

SMT Type

Right Angle

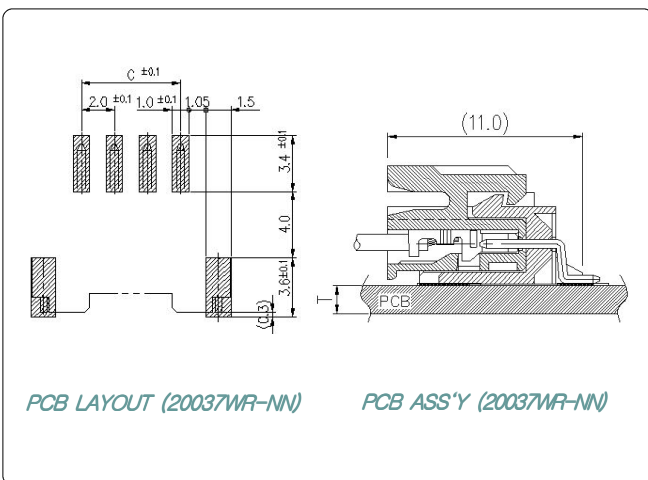
Available Pin

PARTS NO.	A	B	C
20037WR-02	8.0	4.75	2.0
20037WR-03	10.0	6.75	4.0
20037WR-04	12.0	8.75	6.0
20037WR-05	14.0	10.75	8.0
20037WR-06	16.0	12.75	10.0
20037WR-07	18.0	14.75	12.0
20037WR-08	20.0	16.75	14.0
20037WR-09	22.0	18.75	16.0
20037WR-10	24.0	20.75	18.0
20037WR-11	26.0	22.75	20.0
20037WR-12	28.0	24.75	22.0
20037WR-13	30.0	26.75	24.0
20037WR-14	32.0	28.75	26.0
20037WR-15	34.0	30.75	28.0



Specification

ITEM	SPEC
Voltage Rating	AC/DC 250V
Current Rating	AC/DC 3A
Operating Temperature	-25°C~+85°C
Contact Resistance	30mΩ MAX
Withstanding Voltage	AC1000V/1min
Insulation Resistance	1000MΩ MIN
Applicable Wire	
Applicable P.C.B	0.8~1.6mm
Applicable FPC/FFC	-
Solder Height	-
Crimp Tensile Strength	-
UL FILE NO	-



◆ Applicable Housing : SMH200-NN