

2.00mm

(0.079") PITCH CONNECTOR



20045WS-NN

Material

I/NO	DESCRIPTION	MATERIAL
1	WAFER	PA46 or PA6T, UL94V-0
2	TERMINAL	Phosphor Bronze, Tin-plated

**Board to Board
Connectors**

Wafer

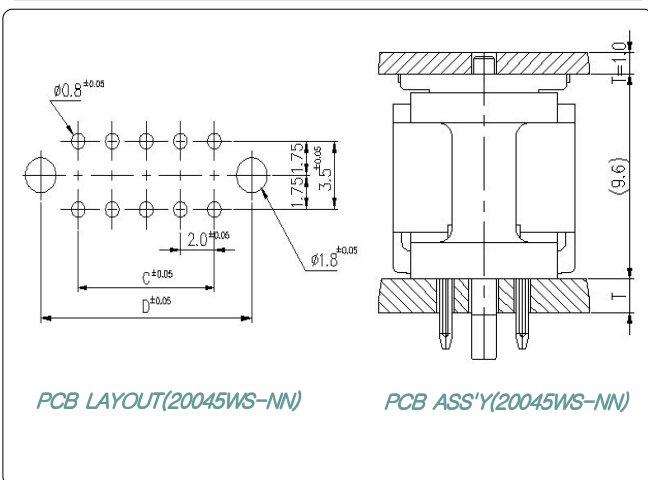
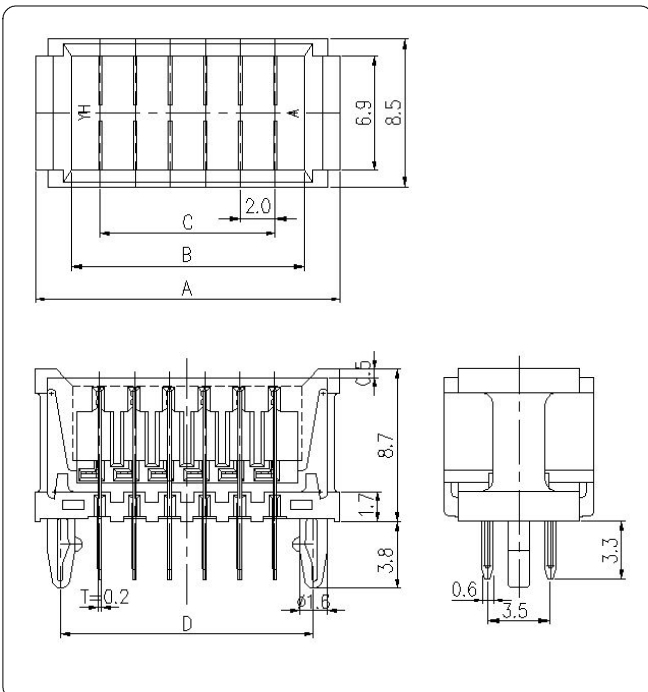
Dip Type
Straight

Available Pin

PARTS NO.	A	B	C	D
20045WS-12	17.4	13.1	10.0	14.4
20045WS-30	35.4	31.1	28.0	32.4

Specification

ITEM	SPEC
Voltage Rating	AC/DC 250V
Current Rating	AC/DC 1A
Operating Temperature	-25°C ~ +85°C
Contact Resistance	30mΩ MAX
Withstanding Voltage	AC500V/1min
Insulation Resistance	1000MΩ MIN
Applicable Wire	-
Applicable P.C.B	1.2 ~ 1.6mm
Applicable FPC/FFC	-
Solder Height	-
Crimp Tensile Strength	-
UL FILE NO	-



PCB LAYOUT(20045WS-NN)

PCB ASS'Y(20045WS-NN)