

# 2.00mm

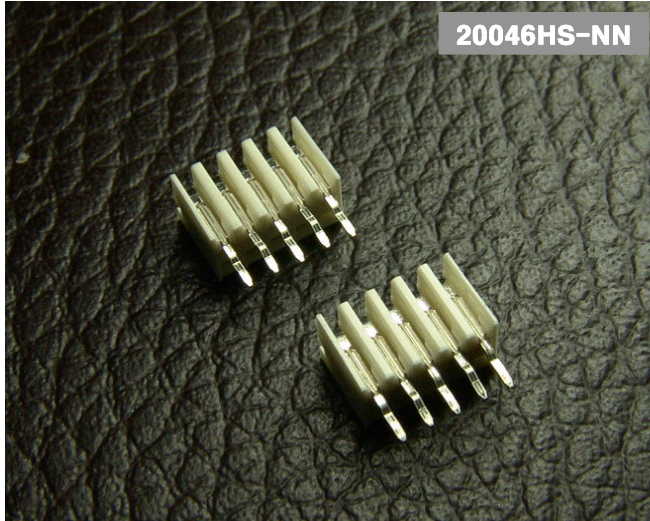
(0.079'') PITCH CONNECTOR

## Board to Board Connectors

Housing

Straight

Dip Type

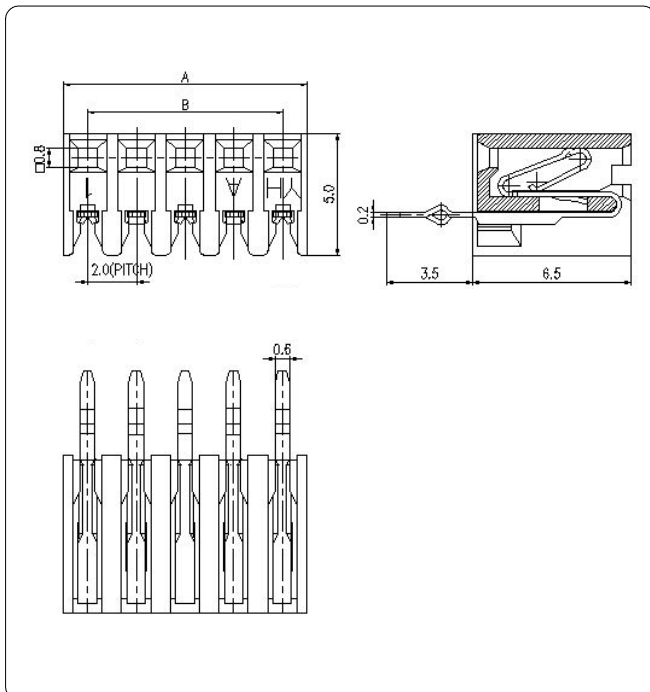


### Material

I/NO	DESCRIPTION	MATERIAL
1	HOUSING	NYLON 66, UL94V-0
2	TERMINAL	Phosphor Bronze, Tin-plated

### Available Pin

PARTS NO.	A	B
20046HS-03	6.0	4.0
20046HS-04	8.0	6.0
20046HS-05	10.0	8.0
20046HS-06	12.0	10.0
20046HS-07	14.0	12.0
20046HS-08	16.0	14.0
20046HS-09	18.0	16.0
20046HS-10	20.0	18.0
20046HS-11	22.0	20.0
20046HS-12	24.0	22.0
20046HS-13	26.0	24.0
20046HS-14	28.0	26.0
20046HS-15	30.0	28.0



### Specification

ITEM	SPEC
Voltage Rating	AC/DC 250V
Current Rating	AC/DC 2A
Operating Temperature	-25°C ~ +85°C
Contact Resistance	30mΩ MAX
Withstanding Voltage	AC500V/1min
Insulation Resistance	1000MΩ MIN
Applicable Wire	-
Applicable P.C.B	1.2 ~ 1.6mm
Applicable FPC/FFC	-
Solder Height	-
Crimp Tensile Strength	-
UL FILE NO	-

