

2.00mm

(0.079") PITCH CONNECTOR



Material

I/NO	DESCRIPTION	MATERIAL
1	WAFER	NYLON 66, UL94V-0
2	PIN	Brass, Tin-plate

Board to Board Connectors

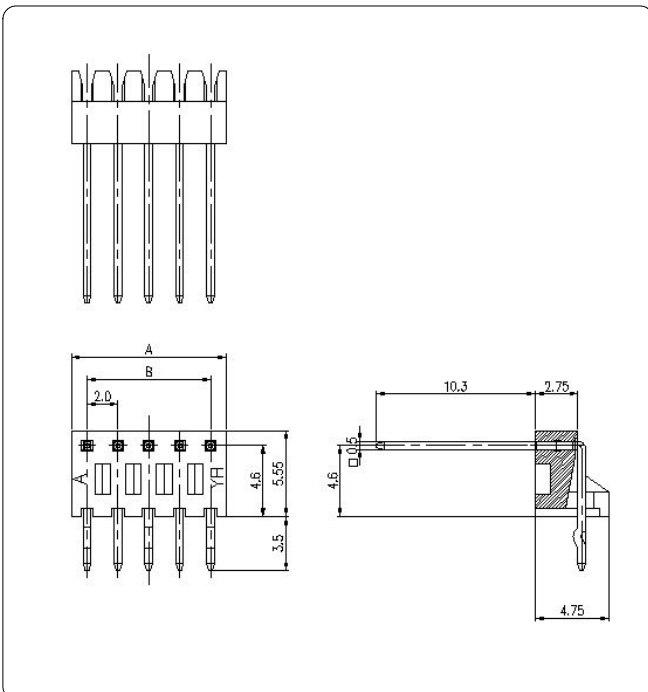
Wafer

Dip Type

Right Angle

Available Pin

PARTS NO.	A	B
20046WR-03	6.0	4.0
20046WR-04	8.0	6.0
20046WR-05	10.0	8.0
20046WR-06	12.0	10.0
20046WR-07	14.0	12.0
20046WR-08	16.0	14.0
20046WR-09	18.0	16.0
20046WR-10	20.0	18.0
20046WR-11	22.0	20.0
20046WR-12	24.0	22.0
20046WR-13	26.0	24.0
20046WR-14	28.0	26.0
20046WR-15	30.0	28.0



Specification

ITEM	SPEC
Voltage Rating	AC/DC 250V
Current Rating	AC/DC 2A
Operating Temperature	-25°C ~ +85°C
Contact Resistance	30mΩ MAX
Withstanding Voltage	AC500V/1min
Insulation Resistance	1000MΩ MIN
Applicable Wire	-
Applicable P.C.B	1.2 ~ 1.6mm
Applicable FPC/FFC	-
Solder Height	-
Crimp Tensile Strength	-
UL FILE NO	-

