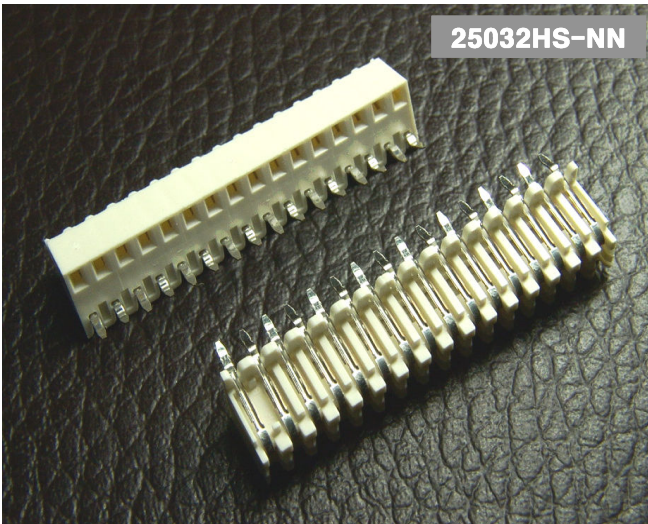


2.50mm

(0.098") PITCH CONNECTOR



Material

I/NO	DESCRIPTION	MATERIAL
1	HOUSING	NYLON 66 ,UL94V-0
2	TERMINAL	Phosphor Bronze, Tin-plated

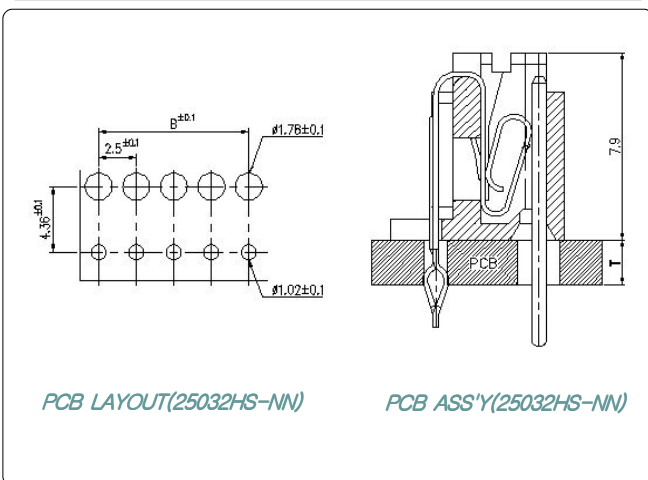
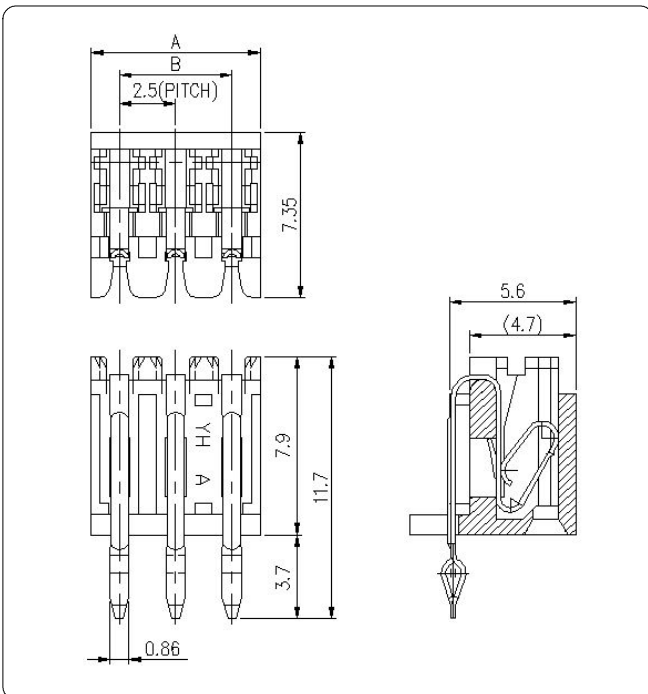
**Board to Board
Connectors**

Housing

Dip Type Straight

Available Pin

PARTS NO.	A	B
25032HS-02	5.0	2.5
25032HS-03	7.5	5.0
25032HS-04	10.0	7.5
25032HS-05	12.5	10.0
25032HS-06	15.0	12.5
25032HS-07	17.5	15.0
25032HS-08	20.0	17.5
25032HS-09	22.5	20.0
25032HS-10	25.0	22.5
25032HS-11	27.5	25.0
25032HS-12	30.0	27.5
25032HS-13	32.5	30.0
25032HS-14	35.0	32.5
25032HS-15	37.5	35.0
25032HS-16	40.0	37.5
25032HS-17	42.5	40.0
25032HS-18	45.0	42.5
25032HS-19	47.5	45.0
25032HS-20	50.0	47.5



Specification

ITEM	SPEC
Voltage Rating	AC/DC 250V
Current Rating	AC/DC 3A
Operating Temperature	-25°C ~ +85°C
Contact Resistance	30mΩ MAX
Withstanding Voltage	AC1000V/1min
Insulation Resistance	1000MΩ MIN
Applicable Wire	-
Applicable P.C.B	1.2 ~ 1.6mm
Applicable FPC/FFC	-
Solder Height	-
Crimp Tensile Strength	-
UL FILE NO	-