

2.50mm

(0.098") PITCH CONNECTOR



Material

I/NO	DESCRIPTION	MATERIAL
1	HOUSING	NYLON 66, UL94V-0
2	TERMINAL	Phosphor Bronze, Tin-plated

**Board to Board
Connectors**

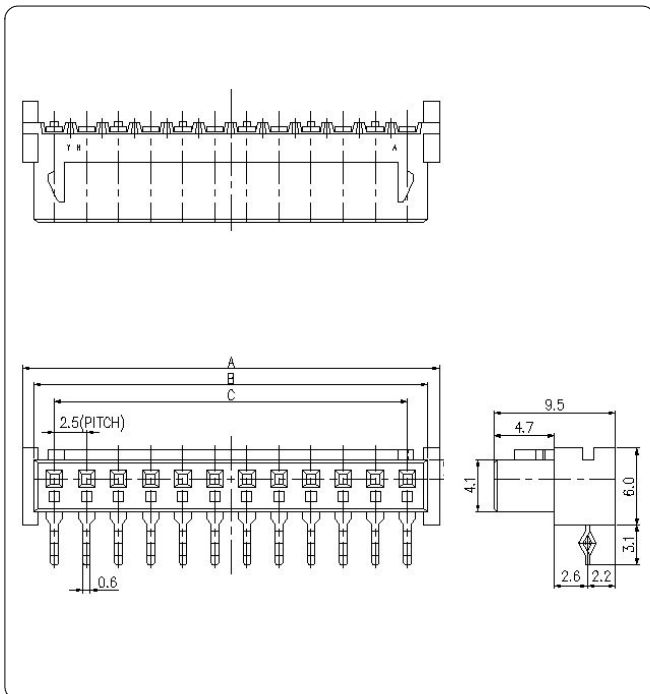
Housing

Dip
Type

Right
Angle

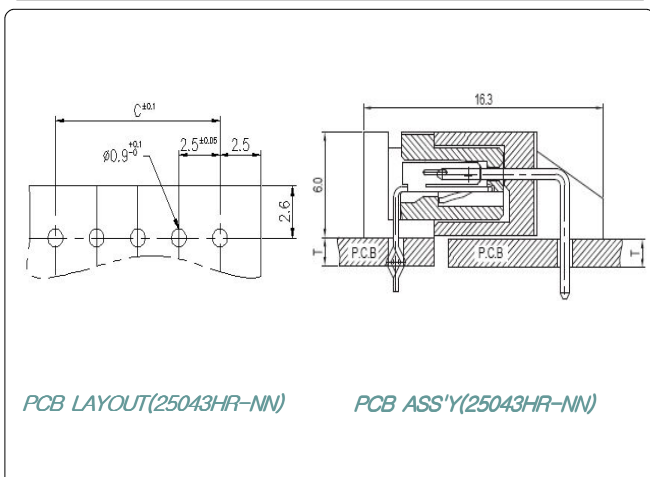
Available Pin

PARTS NO.	A	B	C
25043HR-03	10.0	8.2	5.0
25043HR-04	12.5	10.7	7.5
25043HR-05	15.0	13.2	10.0
25043HR-06	17.5	15.7	12.5
25043HR-07	20.0	18.2	15.0
25043HR-08	22.5	20.7	17.5
25043HR-09	25.0	23.2	20.0
25043HR-10	27.5	25.7	22.5
25043HR-11	30.0	28.2	25.0
25043HR-12	32.5	30.7	27.5
25043HR-13	35.0	33.2	30.0
25043HR-14	37.5	35.7	32.5
25043HR-15	40.0	38.2	35.0



Specification

ITEM	SPEC
Voltage Rating	AC/DC 250V
Current Rating	AC/DC 3A
Operating Temperature	-25°C~+85°C
Contact Resistance	30mΩ MAX
Withstanding Voltage	AC1000V/1min
Insulation Resistance	1000MΩ MIN
Applicable Wire	-
Applicable P.C.B	1.2~1.6mm
Applicable FPC/FFC	-
Solder Height	-
Crimp Tensile Strength	-
UL FILE NO	-



PCB LAYOUT(25043HR-NN)

PCB ASS'Y(25043HR-NN)