

2.50mm

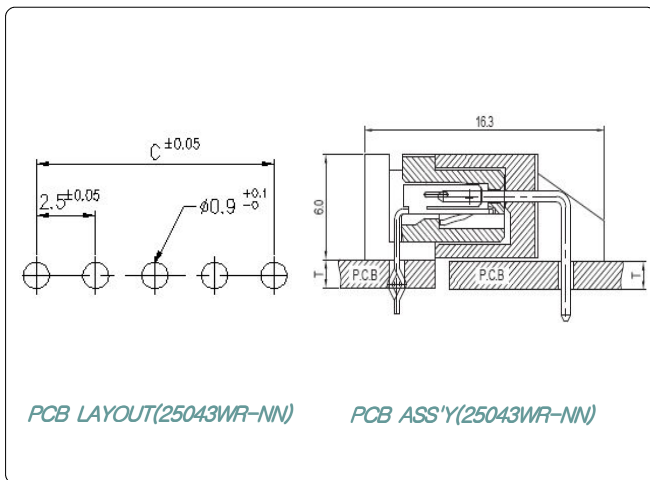
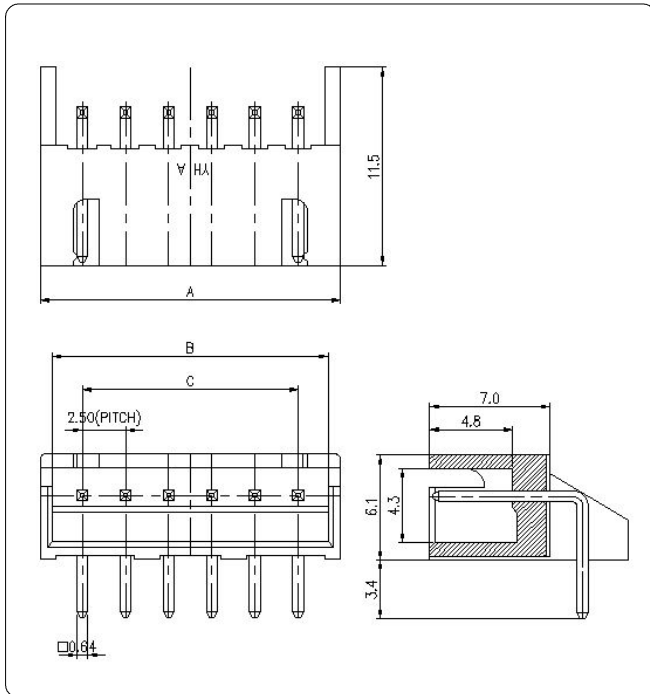
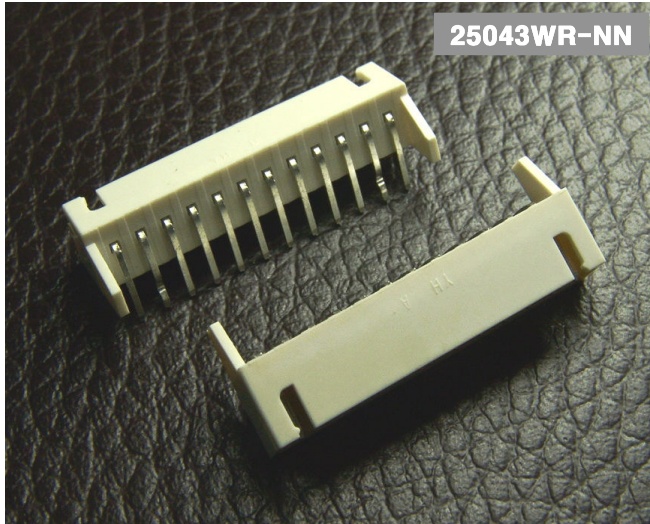
(0.098'') PITCH CONNECTOR

Board to Board
Connectors

Wafer

Right
Angle

Dip
Type



Material

I/NO	DESCRIPTION	MATERIAL
1	WAFER	NYLON 66, UL94-V
2	PIN	Brass, Tin-plated

Available Pin

PARTS NO.	A	B	C
25043WR-03	9.9	8.5	5.0
25043WR-04	12.4	11.0	7.5
25043WR-05	14.9	13.5	10.0
25043WR-06	17.4	16.0	12.5
25043WR-07	19.9	18.5	15.0
25043WR-08	22.4	21.0	17.5
25043WR-09	24.9	23.5	20.0
25043WR-10	27.4	26.0	22.5
25043WR-11	29.9	28.5	25.0
25043WR-12	32.4	31.0	27.5
25043WR-13	34.9	33.5	30.0
25043WR-14	37.4	36.0	32.5
25043WR-15	39.9	38.5	35.0

Specification

ITEM	SPEC
Voltage Rating	AC/DC 250V
Current Rating	AC/DC 3A
Operating Temperature	-25°C~+85°C
Contact Resistance	30mΩ MAX
Withstanding Voltage	AC1000V/1min
Insulation Resistance	1000MΩ MIN
Applicable Wire	-
Applicable P.C.B	1.2~1.6mm
Applicable FPC/FFC	-
Solder Height	-
Crimp Tensile Strength	-
UL FILE NO	-