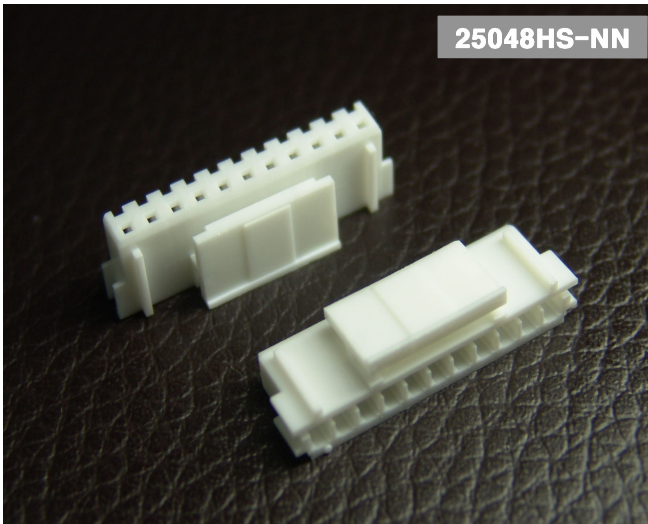


2.50mm

(0.098") PITCH CONNECTOR



25048HS-NN

Material

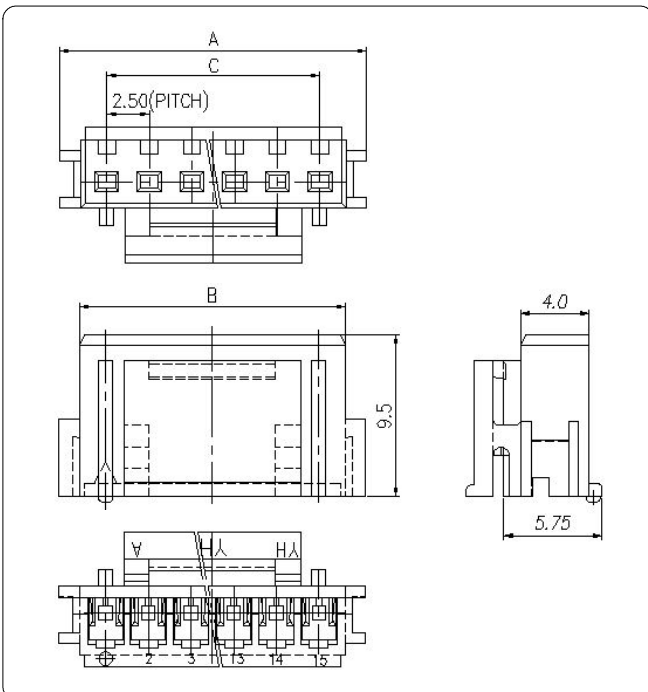
I/NO	DESCRIPTION	MATERIAL
1	HOUSING	PA66, UL94V-Grade

**Wire to Board
Connectors**

Housing

Available Pin

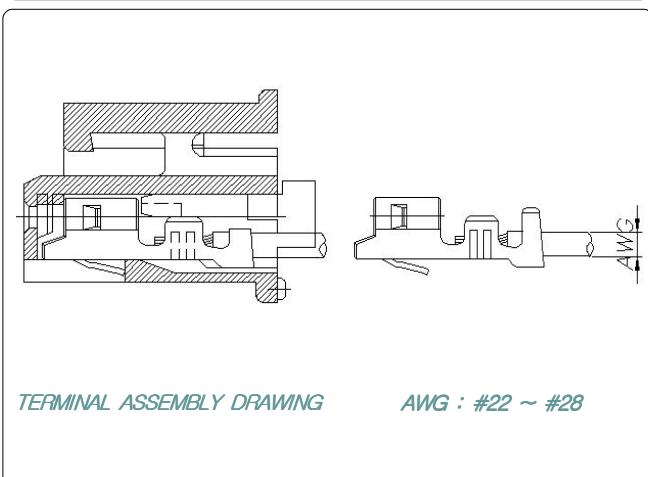
PARTS NO.	A	B	C
25048HS-02	8.0	5.6	2.5
25048HS-03	10.5	8.1	5.0
25048HS-04	13.0	10.6	7.5
25048HS-05	15.5	13.1	10.0
25048HS-06	18.0	15.6	12.5
25048HS-07	20.5	18.1	15.0
25048HS-08	23.0	20.6	17.5
25048HS-09	25.5	23.1	20.0
25048HS-10	28.0	25.6	22.5
25048HS-11	30.5	28.1	25.0
25048HS-12	33.0	30.6	27.5
25048HS-13	35.5	33.1	30.0
25048HS-14	38.0	35.6	32.5
25048HS-15	40.5	38.1	35.0



Specification

ITEM	SPEC
Voltage Rating	AC/DC 250V
Current Rating	AC/DC 3A
Operating Temperature	-25°C ~ +85°C
Contact Resistance	30mΩ MAX
Withstanding Voltage	AC1000V/1min
Insulation Resistance	1000MΩ MIN
Applicable Wire	AWG #22~#28
Applicable P.C.B	-
Applicable FPC/FFC	-
Solder Height	-
Crimp Tensile Strength	-
UL FILE NO	-

◆ Applicable Terminal : 25045TS



TERMINAL ASSEMBLY DRAWING

AWG : #22 ~ #28