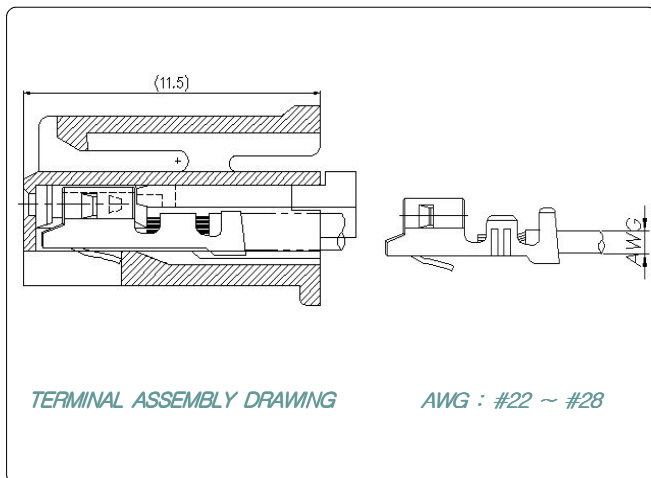
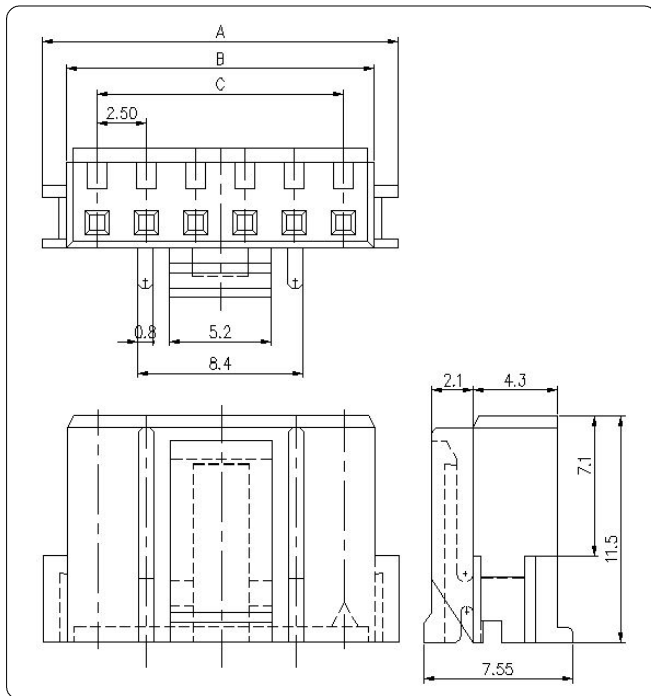
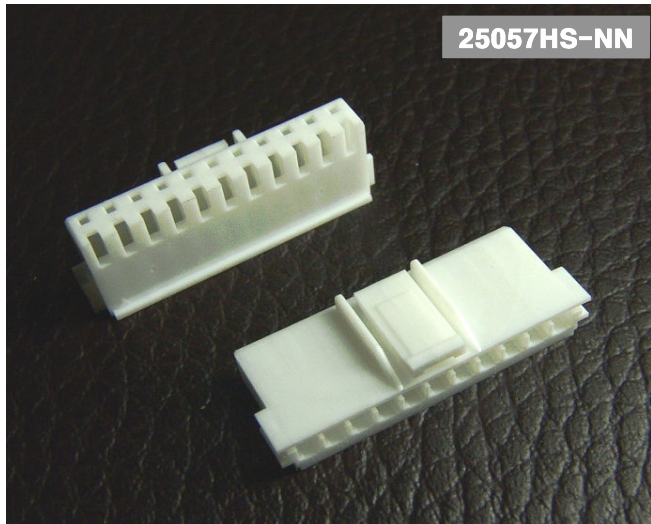


2.50mm

(0.098'') PITCH CONNECTOR

Wire to Wire Connectors

Housing



Material

I/NO	DESCRIPTION	MATERIAL
1	HOUSING	NYLON 66, UL94V-0

Available Pin

PARTS NO.	A	B	C
25057HS-02	8.0	5.6	2.5
25057HS-03	10.5	8.1	5.0
25057HS-04	13.0	10.6	7.5
25057HS-05	15.5	13.1	10.0
25057HS-06	18.0	15.6	12.5
25057HS-07	20.5	18.1	15.0
25057HS-08	23.0	20.6	17.5
25057HS-09	25.5	23.1	20.0
25057HS-10	28.0	25.6	22.5
25057HS-11	30.5	28.1	25.0
25057HS-12	33.0	30.6	27.5
25057HS-13	35.5	33.1	30.0
25057HS-14	38.0	35.6	32.5
25057HS-15	40.5	38.1	35.0

Specification

ITEM	SPEC
Voltage Rating	AC/DC 250V
Current Rating	AC/DC 3A
Operating Temperature	-25°C~+85°C
Contact Resistance	30mΩ MAX
Withstanding Voltage	AC1000V/1min
Insulation Resistance	1000MΩ MIN
Applicable Wire	AWG#22~#28
Applicable P.C.B	1.2~1.6mm
Applicable FPC/FFC	-
Solder Height	-
Crimp Tensile Strength	-
UL FILE NO	-

◆ Applicable Terminal : 25045TS