

3.5mm

(0.138'') PITCH CONNECTOR

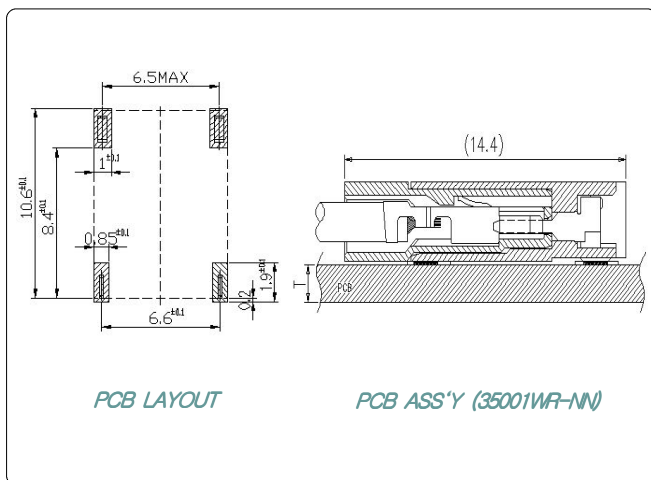
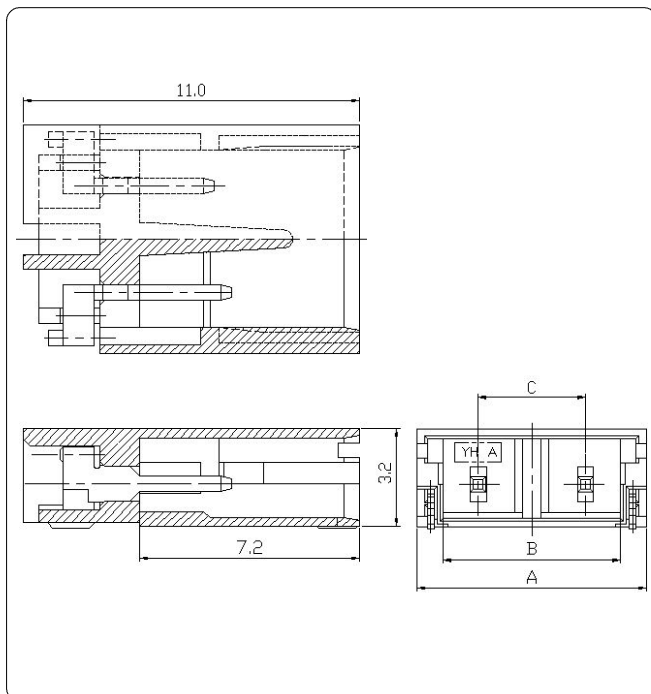
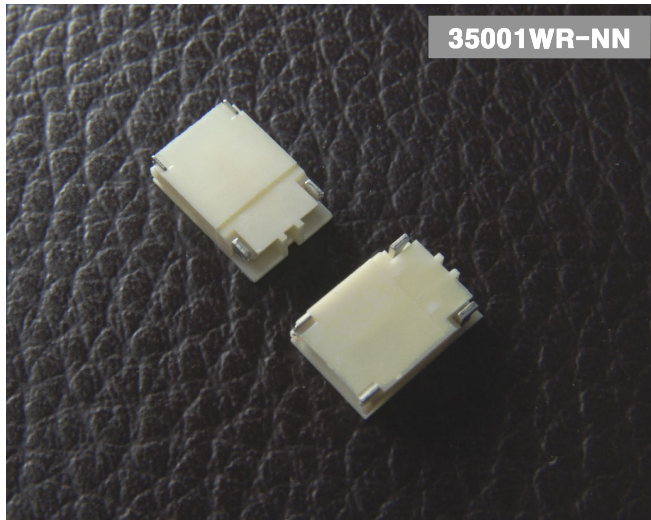
Wire to Board Connectors

Wafer

Emboss Type

SMT Type

Right Angle



Material

I/NO	DESCRIPTION	MATERIAL
1	WAFER	PA46/PA6T , UL94V-0
2	PIN	Phosphor Bronze, Tin-plated
3	HOOK	Brass, Tin-plated

Available Pin

PARTS NO.	A	B	C
35001WR-02	7.5	5.8	3.5

Specification

ITEM	SPEC
Voltage Rating	AC/DC 1400V
Current Rating	AC/DC 1A
Operating Temperature	-25℃~+85℃
Contact Resistance	30mΩ MAX
Withstanding Voltage	AC3800V/1min
Insulation Resistance	1000MΩ MIN
Applicable Wire	-
Applicable P.C.B	0.8 ~ 1.6mm
Applicable FPC/FFC	-
Solder Height	0.15mm
Crimp Tensile Strength	-
UL FILE NO	E108706