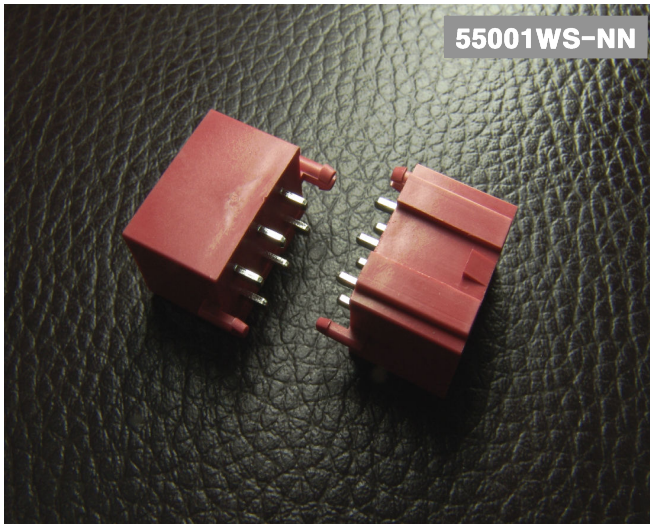


5.50mm

(0.217") PITCH CONNECTOR



55001WS-NN

Material

I/NO	DESCRIPTION	MATERIAL
1	WAFER	NYLON 66, UL94V-0
2	PIN	Brass, Tin-plated

**Wire to Board
Connectors**

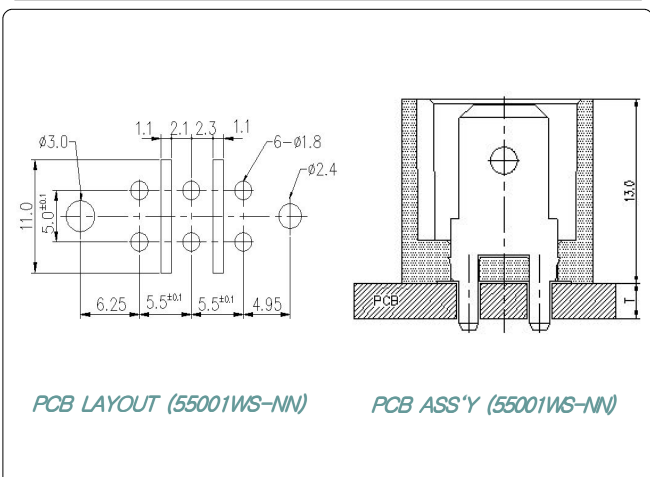
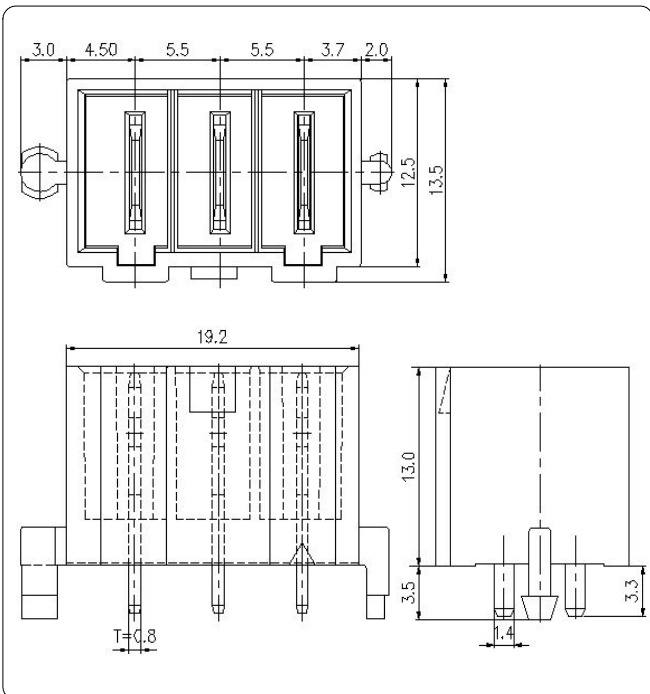
Wafer

Dip
Type

Straight

Specification

ITEM	SPEC
Voltage Rating	AC/DC 250V
Current Rating	AC/DC 7A
Operating Temperature	-25 °C ~ +85 °C
Contact Resistance	30mΩ MAX
Withstanding Voltage	AC1000V/1min
Insulation Resistance	1000MΩ MIN
Applicable Wire	-
Applicable P.C.B	1.2 ~ 1.6mm
Applicable FPC/FFC	-
Solder Height	-
Crimp Tensile Strength	-
UL FILE NO	-



PCB LAYOUT (55001WS-NN)

PCB ASS'Y (55001WS-NN)