

# 9.00mm

(0.354") PITCH CONNECTOR



90019WS-NN

## Material

I/NO	DESCRIPTION	MATERIAL
1	WAFER	NYLON 66
2	PIN	Brass, Tin-plated

**Wire to Board  
Connectors**

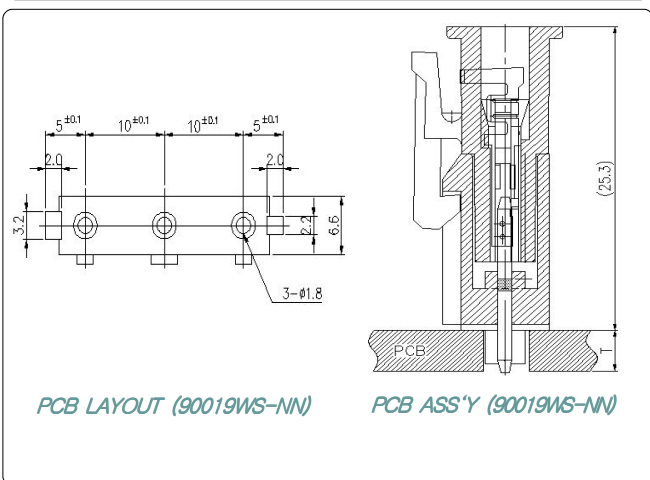
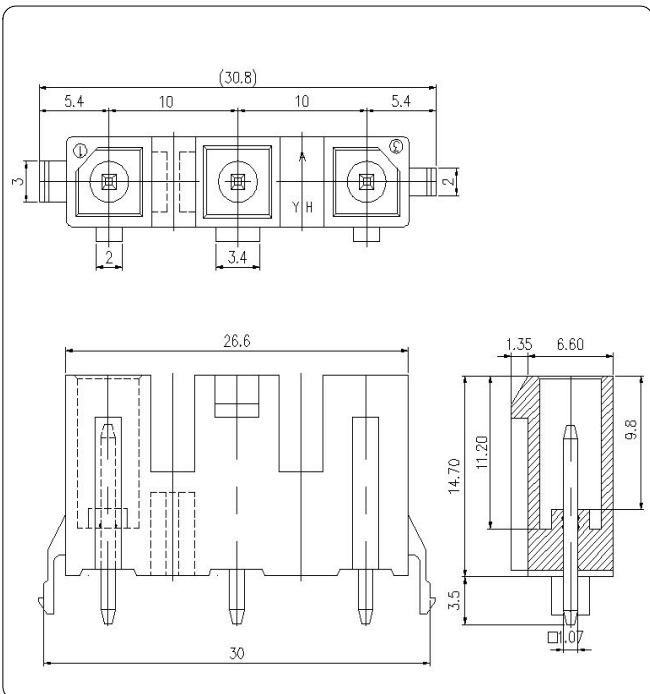
Wafer

Dip  
Type

Straight

## Specification

ITEM	SPEC
Voltage Rating	AC/DC 250V
Current Rating	AC/DC 9A
Operating Temperature	-25°C~+85°C
Contact Resistance	30mΩ MAX
Withstanding Voltage	
Insulation Resistance	
Applicable Wire	-
Applicable P.C.B	1.2~1.6mm
Applicable FPC/FFC	-
Solder Height	-
Crimp Tensile Strength	-
UL FILE NO	-



PCB LAYOUT (90019WS-NN)

PCB ASS'Y (90019MS-NN)