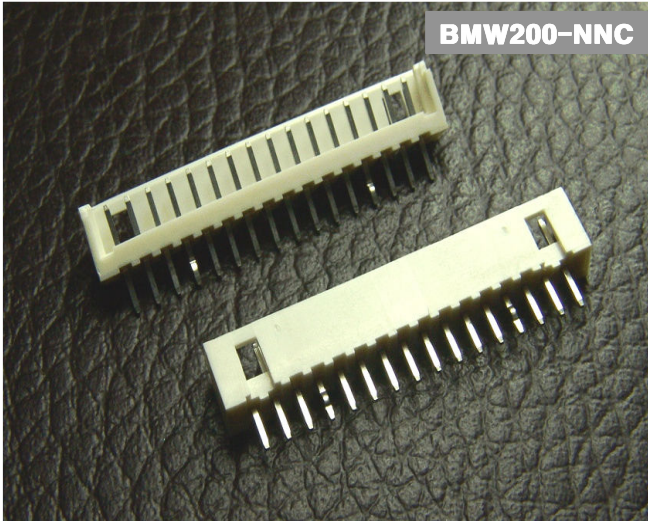


# 2.00mm

## (0.079") PITCH CONNECTOR



**BMW200-NNC**

### Material

I/NO	DESCRIPTION	MATERIAL
1	WAFER	P.B.T(7%),NYLONE(GF100%)
2	PIN	Brass, Tin-plated

**Board to Board  
Connectors**

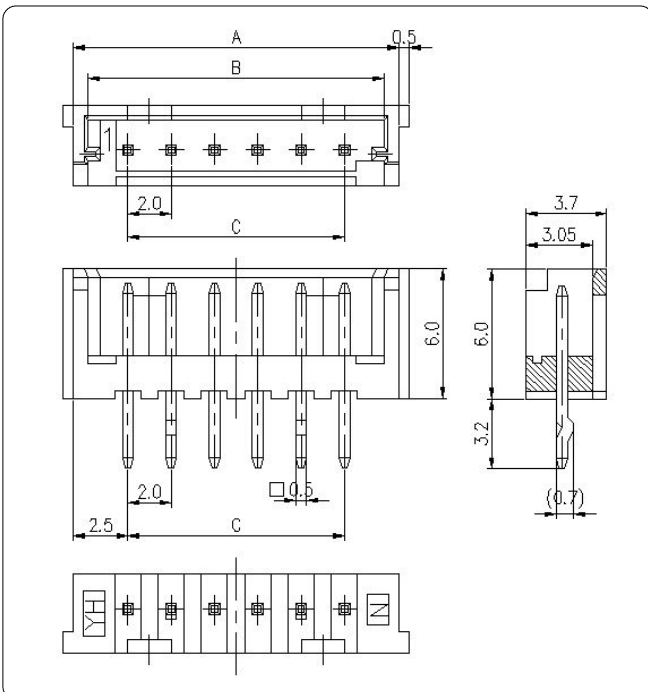
**Wafer**

Dip  
Type

Straight

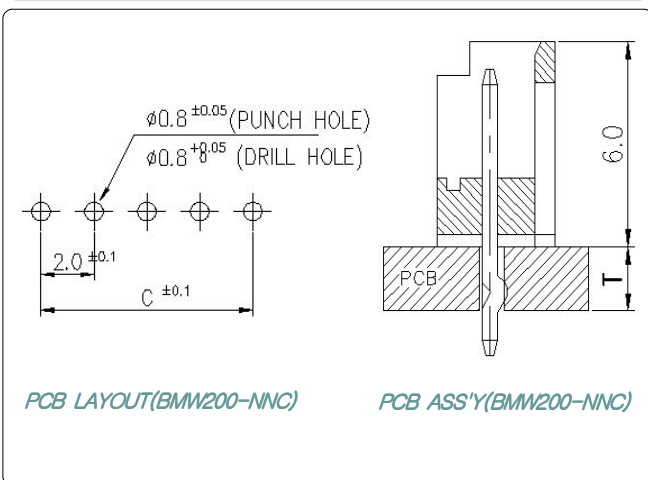
### Available Pin

PARTS NO.	A	B	C
BMW200-03C	9.0	7.64	4.0
BMW200-04C	11.0	9.64	6.0
BMW200-05C	13.0	11.64	8.0
BMW200-06C	15.0	13.64	10.0
BMW200-07C	17.0	15.64	12.0
BMW200-08C	19.0	17.64	14.0
BMW200-09C	21.0	19.64	16.0
BMW200-10C	23.0	21.64	18.0
BMW200-11C	25.0	23.64	20.0
BMW200-12C	27.0	25.64	22.0
BMW200-13C	29.0	27.64	24.0
BMW200-14C	31.0	29.64	26.0
BMW200-15C	33.0	31.64	28.0
BMW200-16C	35.0	33.64	30.0
BMW200-17C	37.0	35.64	32.0
BMW200-18C	39.0	37.64	34.0
BMW200-19C	41.0	39.64	36.0
BMW200-20C	43.0	41.64	38.0



### Specification

ITEM	SPEC
Voltage Rating	AC/DC 250V
Current Rating	AC/DC 1.5A
Operating Temperature	-25°C~+85°C
Contact Resistance	30mΩ MAX
Withstanding Voltage	AC500V/1min
Insulation Resistance	1000MΩ MIN
Applicable Wire	-
Applicable P.C.B	1.2 ~ 1.6mm
Applicable FPC/FFC	-
Solder Height	-
Crimp Tensile Strength	-
UL FILE NO	-



PCB LAYOUT(BMM200-NNC)

PCB ASS'Y(BMM200-NNC)