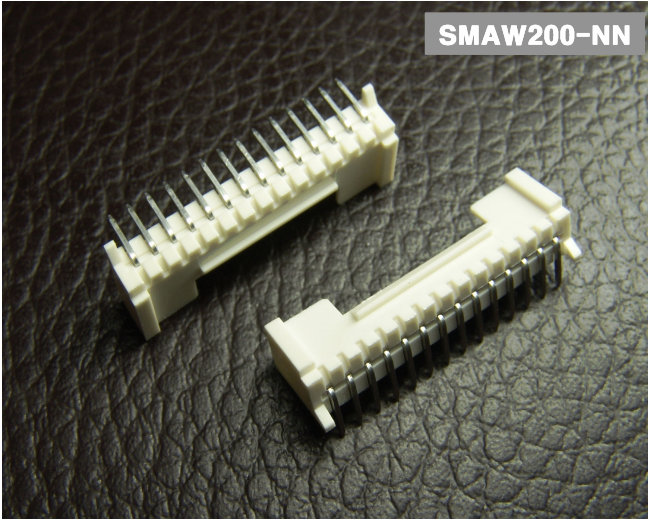


2.00mm

(0.079") PITCH CONNECTOR



SMAW200-NN

Material

I/NO	DESCRIPTION	MATERIAL
1	WAFER	NYLON 66, UL94V-0
2	PIN	Brass, Tin-plated

**Wire to Board
Connectors**

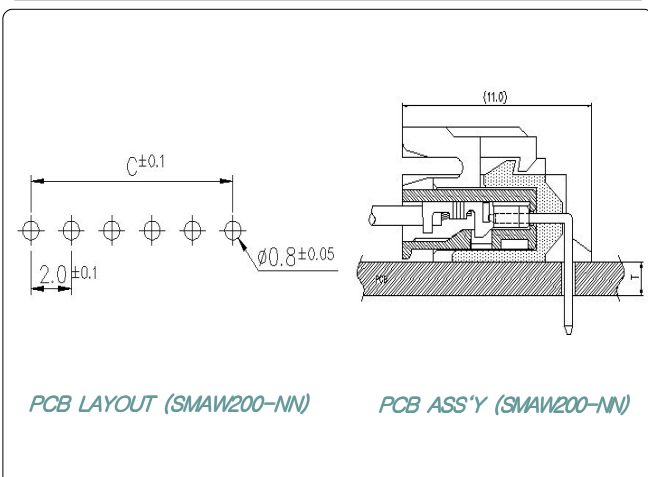
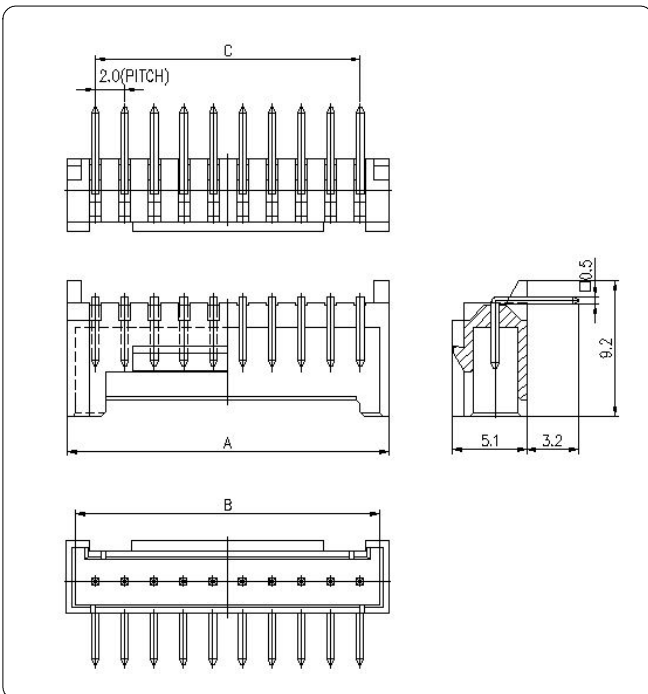
Wafer

**Dip
Type**

**Right
Angle**

Available Pin

PARTS NO.	A	B	C
SMAW200-02	5.98	4.75	2.0
SMAW200-03	7.98	6.75	4.0
SMAW200-04	9.98	8.75	6.0
SMAW200-05	11.98	10.75	8.0
SMAW200-06	13.98	12.75	10.0
SMAW200-07	15.98	14.75	12.0
SMAW200-08	17.98	16.75	14.0
SMAW200-09	19.98	18.75	16.0
SMAW200-10	21.98	20.75	18.0
SMAW200-11	23.98	22.75	20.0
SMAW200-12	25.98	24.75	22.0
SMAW200-13	27.98	26.75	24.0
SMAW200-14	29.98	28.75	26.0
SMAW200-15	31.98	30.75	28.0
SMAW200-16	33.98	32.75	30.0



Specification

ITEM	SPEC
Voltage Rating	AC/DC 250V
Current Rating	AC/DC 3A
Operating Temperature	-25°C~+85°C
Contact Resistance	30mΩ MAX
Withstanding Voltage	AC1000V/1min
Insulation Resistance	1000MΩ MIN
Applicable Wire	-
Applicable P.C.B	1.2~1.6mm
Applicable FPC/FFC	-
Solder Height	-
Crimp Tensile Strength	-
UL FILE NO	E108706