

2.5mm

(0.098'') PITCH CONNECTOR

Wire to Board Connectors

Wafer

Right Angle

Dip Type

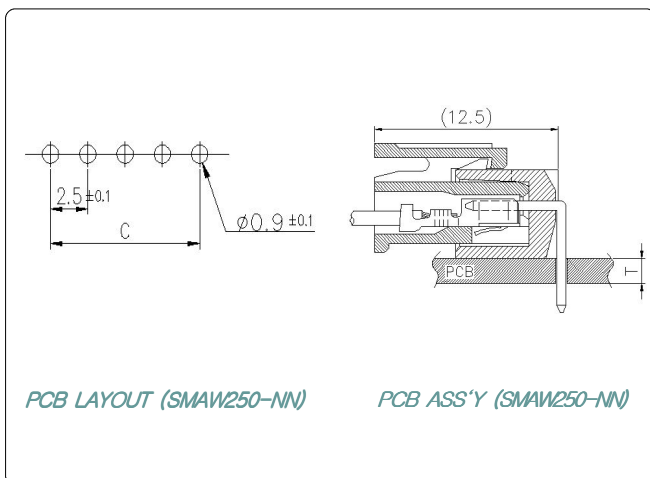
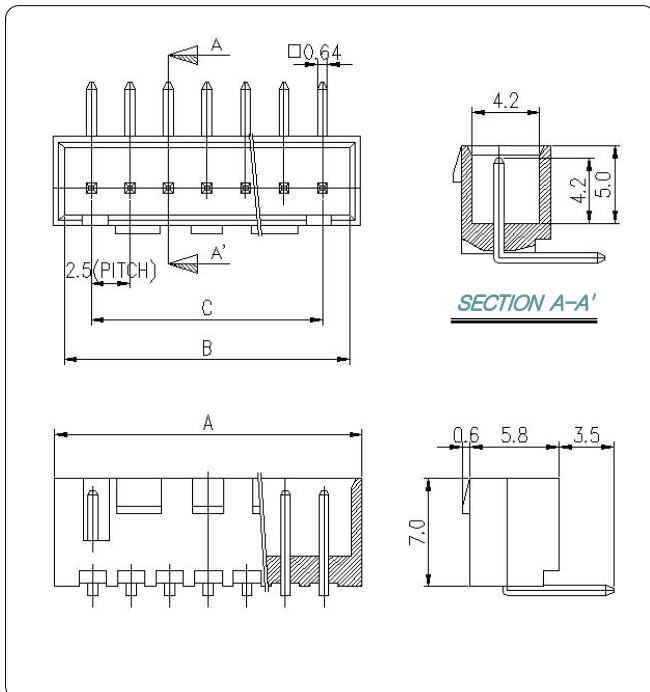


Material

I/NO	DESCRIPTION	MATERIAL
1	WAFER	NYLON 66, UL94V-0
2	PIN	Brass, Tin-plated

Available Pin

PARTS NO.	A	B	C
SMAW250-02	7.4	5.8	2.5
SMAW250-03	9.9	8.3	5.0
SMAW250-04	12.4	10.8	7.5
SMAW250-05	14.9	13.3	10.0
SMAW250-06	17.4	15.8	12.5
SMAW250-07	19.9	18.3	15.0
SMAW250-08	22.4	20.8	17.5
SMAW250-09	24.9	23.3	20.0
SMAW250-10	27.4	25.8	22.5
SMAW250-11	29.9	28.3	25.0
SMAW250-12	32.4	30.8	27.5
SMAW250-13	34.9	33.3	30.0
SMAW250-14	37.4	35.8	32.5
SMAW250-15	39.9	38.3	35.0



Specification

ITEM	SPEC
Voltage Rating	AC/DC 250V
Current Rating	AC/DC 3A
Operating Temperature	-25°C ~ +85°C
Contact Resistance	30mΩ MAX
Withstanding Voltage	AC1000V/1min
Insulation Resistance	1000MΩ MIN
Applicable Wire	-
Applicable P.C.B	1.2 ~ 1.6mm
Applicable FPC/FFC	-
Solder Height	-
Crimp Tensile Strength	-
UL FILE NO	E108706