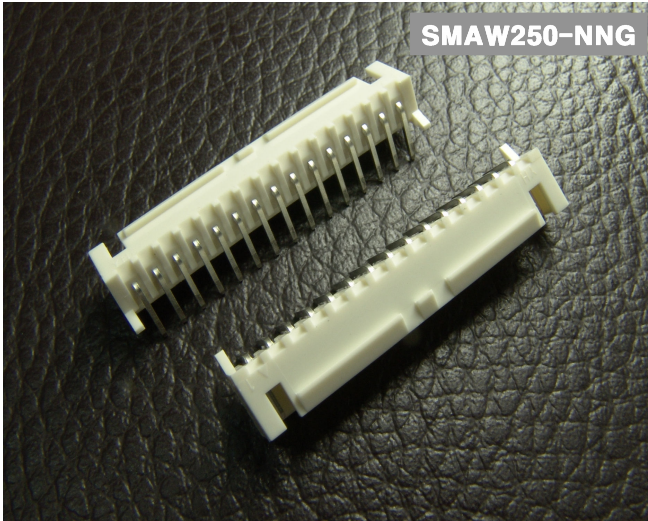


2.50mm

(0.098") PITCH CONNECTOR



SMAW250-NNG

Material

I/NO	DESCRIPTION	MATERIAL
1	WAFER	NYLON 66, UL94V-0
2	PIN	Brass, Tin-plated

Wire to Board Connectors

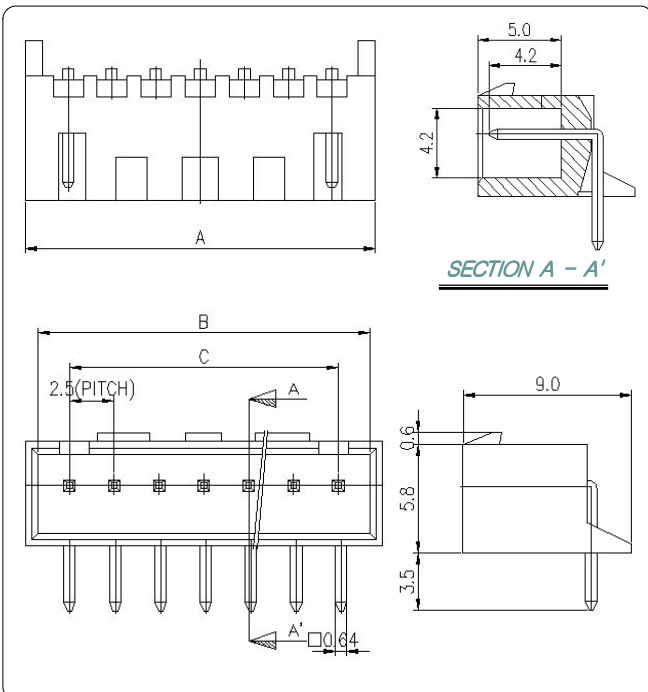
Wafer

Dip Type

Right Angle

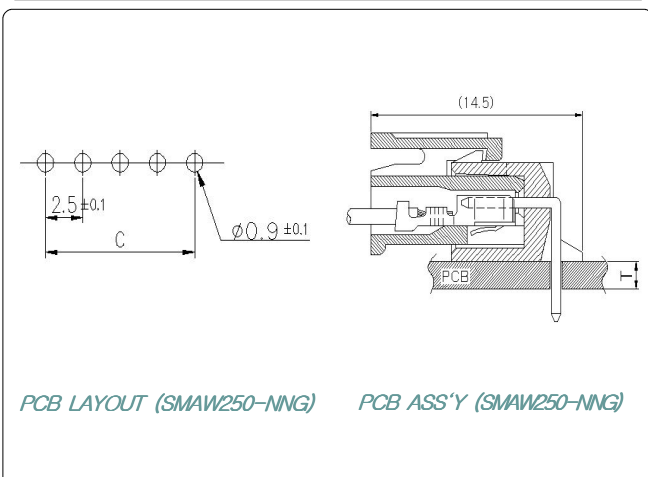
Available Pin

PARTS NO.	A	B	C
SMAW250-02G	7.5	5.9	2.5
SMAW250-03G	10.0	8.4	5.0
SMAW250-04G	12.5	10.9	7.5
SMAW250-05G	15.0	13.4	10.0
SMAW250-06G	17.5	15.9	12.5
SMAW250-07G	20.0	18.4	15.0
SMAW250-08G	22.5	20.9	17.5
SMAW250-09G	25.0	23.4	20.0
SMAW250-10G	27.5	25.9	22.5
SMAW250-11G	30.0	28.4	25.0
SMAW250-12G	32.5	30.9	27.5
SMAW250-13G	35.0	33.4	30.0
SMAW250-14G	37.5	35.9	32.5
SMAW250-15G	40.0	38.4	35.0



Specification

ITEM	SPEC
Voltage Rating	AC/DC 250V
Current Rating	AC/DC 3A
Operating Temperature	-25°C~+85°C
Contact Resistance	30mΩ MAX
Withstanding Voltage	AC1000V/1min
Insulation Resistance	1000MΩ MIN
Applicable Wire	-
Applicable P.C.B	-
Applicable FPC/FFC	-
Solder Height	-
Crimp Tensile Strength	-
UL FILE NO	E108706



PCB LAYOUT (SMAW250-NNG)

PCB ASS'Y (SMAW250-NNG)