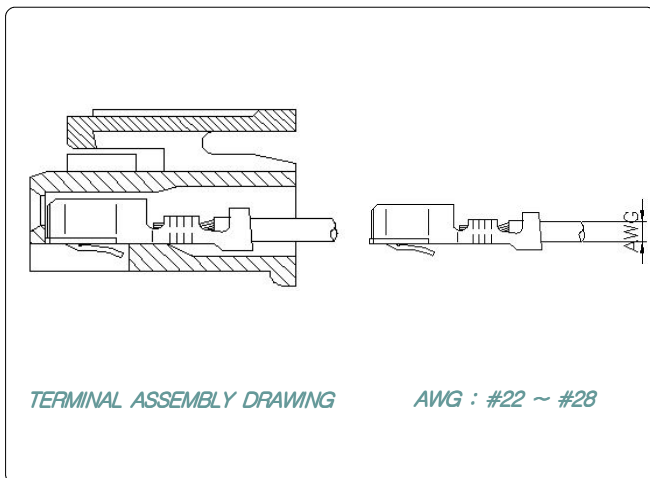
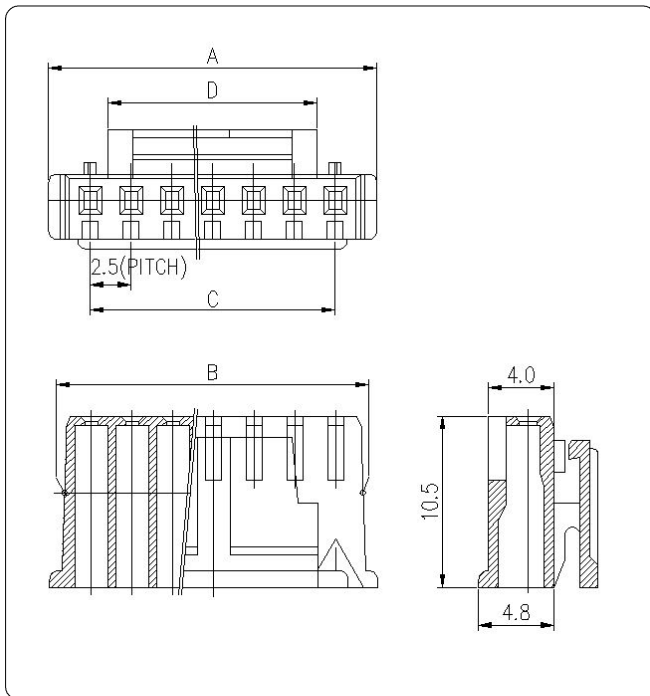
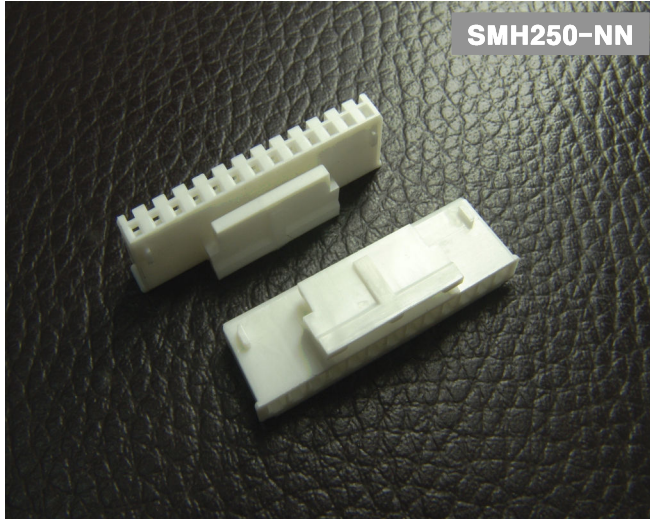


2.5mm

(0.098'') PITCH CONNECTOR

Wire to Board Connectors

Housing



Material

I/NO	DESCRIPTION	MATERIAL
1	HOUSING	NYLON 66, UL94V-0

Available Pin

PARTS NO.	A	B	C	D
SMH250-02	7.2	5.79	2.5	3.0
SMH250-03	9.7	8.29	5.0	3.0
SMH250-04	12.2	10.79	7.5	5.0
SMH250-05	14.7	13.29	10.0	5.0
SMH250-06	17.2	15.79	12.5	10.0
SMH250-07	19.7	18.29	15.0	12.5
SMH250-08	22.2	20.79	17.5	15.0
SMH250-09	24.7	23.29	20.0	17.5
SMH250-10	27.2	25.79	22.5	17.5
SMH250-11	29.7	28.29	25.0	17.5
SMH250-12	32.2	30.79	27.5	17.5
SMH250-13	34.7	33.29	30.0	17.5
SMH250-14	37.2	35.79	32.5	17.5
SMH250-15	39.7	38.29	35.0	17.5

Specification

ITEM	SPEC
Voltage Rating	AC/DC 250V
Current Rating	AC/DC 3A
Operating Temperature	-25°C ~ +85°C
Contact Resistance	30mΩ MAX
Withstanding Voltage	AC1000V/1min
Insulation Resistance	1000MΩ MIN
Applicable Wire	AWG #22~#28
Applicable P.C.B	-
Applicable FPC/FFC	-
Solder Height	-
Crimp Tensile Strength	-
UL FILE NO	E108706

◆ Applicable Terminal : YST025