

# 2.50mm

## (0.098") PITCH CONNECTOR



### Material

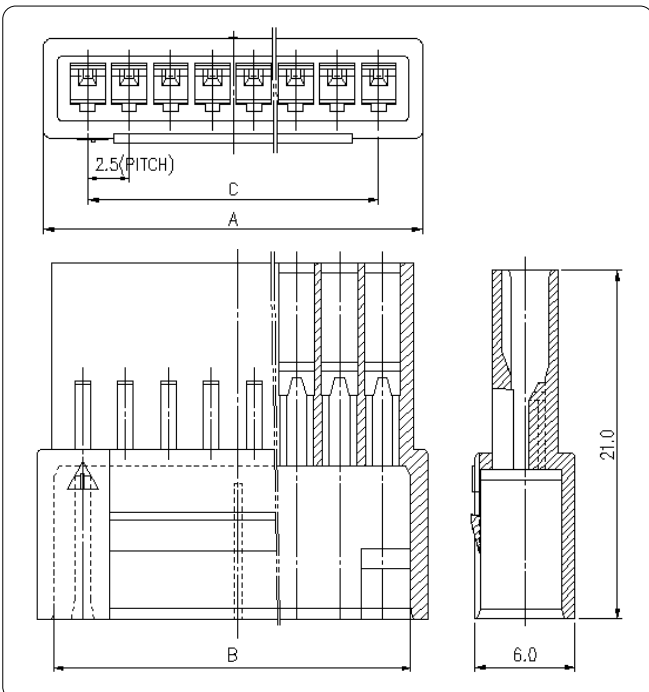
I/NO	DESCRIPTION	MATERIAL
1	PLUG	NYLON 66, UL94V-0

**Wire to Wire  
Connectors**

**Plug**

### Available Pin

PARTS NO.	A	B	C
SMP250-02	7.8	5.8	2.5
SMP250-03	10.3	8.3	5.0
SMP250-04	12.8	10.8	7.5
SMP250-05	15.3	13.3	10.0
SMP250-06	17.8	15.8	12.5
SMP250-07	20.3	18.3	15.0
SMP250-08	22.8	20.8	17.5
SMP250-09	25.3	23.3	20.0
SMP250-10	27.8	25.8	22.5
SMP250-11	30.3	28.3	25.0
SMP250-12	32.8	30.8	27.5
SMP250-13	35.3	33.3	30.0



### Specification

ITEM	SPEC
Voltage Rating	AC/DC 250V
Current Rating	AC/DC 3A
Operating Temperature	-25°C ~ +85°C
Contact Resistance	30mΩ MAX
Withstanding Voltage	AC1000V/1min
Insulation Resistance	1000MΩ MIN
Applicable Wire	AWG#22~#28
Applicable P.C.B	1.2~1.6mm
Applicable FPC/FFC	-
Solder Height	-
Crimp Tensile Strength	-
UL FILE NO	-

◆ Applicable Housing : SMH250-NN

◆ Applicable Terminal : SMT025

