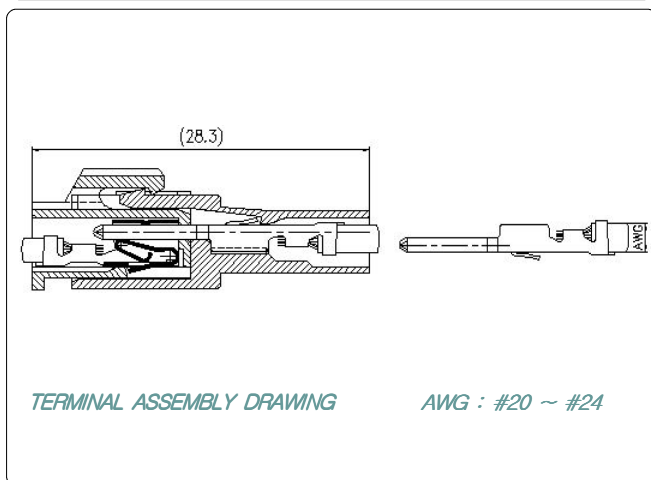
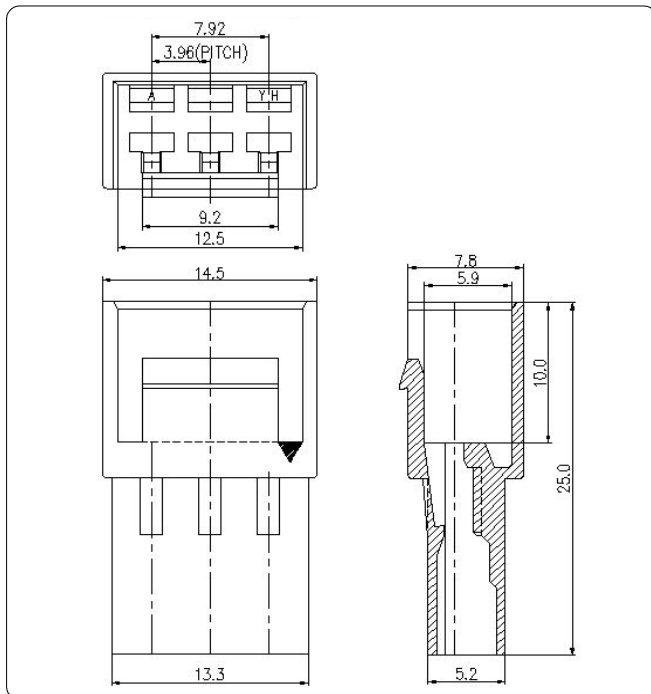
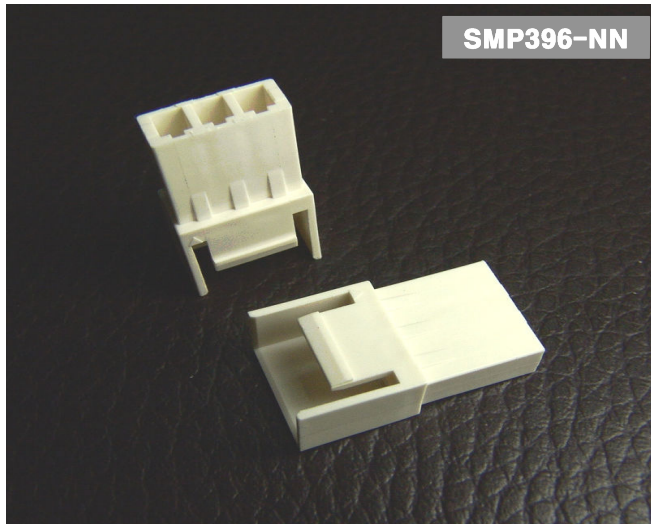


# 3.96mm

(0.156'') PITCH CONNECTOR

## Wire to Wire Connectors

Plug



### Material

| I/NO | DESCRIPTION | MATERIAL          |
|------|-------------|-------------------|
| 1    | PLUG        | PA66, UL94V-Grade |

### Specification

| ITEM                   | SPEC         |
|------------------------|--------------|
| Voltage Rating         | AC/DC 250V   |
| Current Rating         | AC/DC 5A     |
| Operating Temperature  | -25°C~+85°C  |
| Contact Resistance     | 30mΩ MAX     |
| Withstanding Voltage   | AC1500V/1min |
| Insulation Resistance  | 1000MΩ MIN   |
| Applicable Wire        | AWG#20~#24   |
| Applicable P.C.B       | -            |
| Applicable FPC/FFC     | -            |
| Solder Height          | -            |
| Crimp Tensile Strength | -            |
| UL FILE NO             | -            |

◆ Applicable Housing : YH396-NNV  
39606HS-NN

◆ Applicable Terminal : SMT396