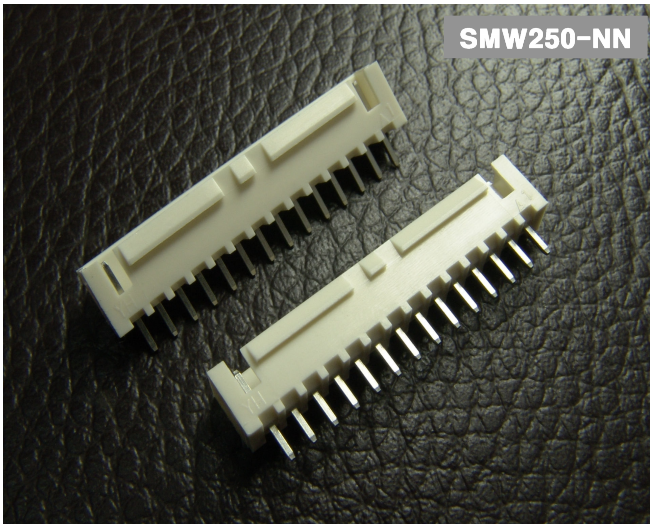


2.50mm

(0.098") PITCH CONNECTOR



SMW250-NN

Material

I/NO	DESCRIPTION	MATERIAL
1	WAFER	NYLON 66, UL94V-0
2	PIN	Brass, Tin-plated

**Wire to Board
Connectors**

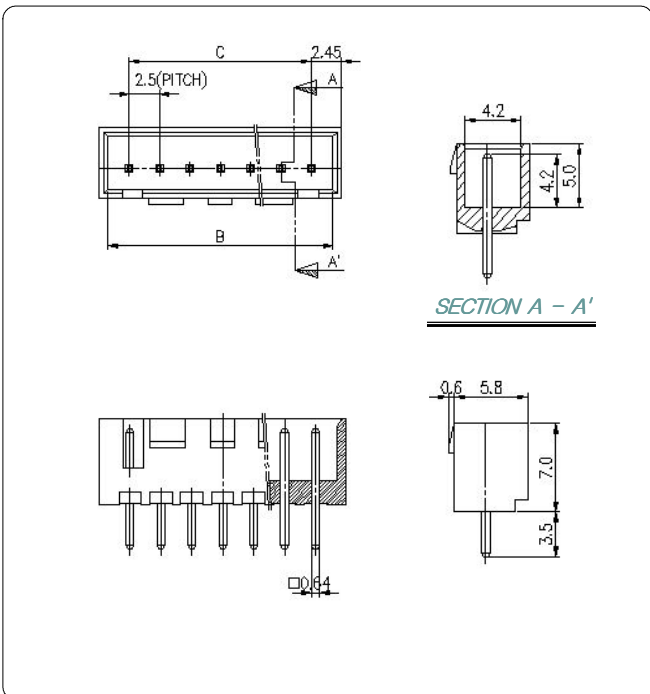
Wafer

Dip
Type

Straight

Available Pin

PARTS NO.	A	B	C
SMW250-02	7.4	5.8	2.5
SMW250-03	9.9	8.3	5.0
SMW250-04	12.4	10.8	7.5
SMW250-05	14.9	13.3	10.0
SMW250-06	17.4	15.8	12.5
SMW250-07	19.9	18.3	15.0
SMW250-08	22.4	20.8	17.5
SMW250-09	24.9	23.3	20.0
SMW250-10	27.4	25.8	22.5
SMW250-11	29.9	28.3	25.0
SMW250-12	32.4	30.8	27.5
SMW250-13	34.9	33.3	30.0
SMW250-14	37.4	35.8	32.5
SMW250-15	39.9	38.3	35.0



Specification

ITEM	SPEC
Voltage Rating	AC/DC 250V
Current Rating	AC/DC 3A
Operating Temperature	-25°C~+85°C
Contact Resistance	30mΩ MAX
Withstanding Voltage	AC1000V/1min
Insulation Resistance	1000MΩ MIN
Applicable Wire	-
Applicable P.C.B	1.2~1.6mm
Applicable FPC/FFC	-
Solder Height	-
Crimp Tensile Strength	-
UL FILE NO	E108706

