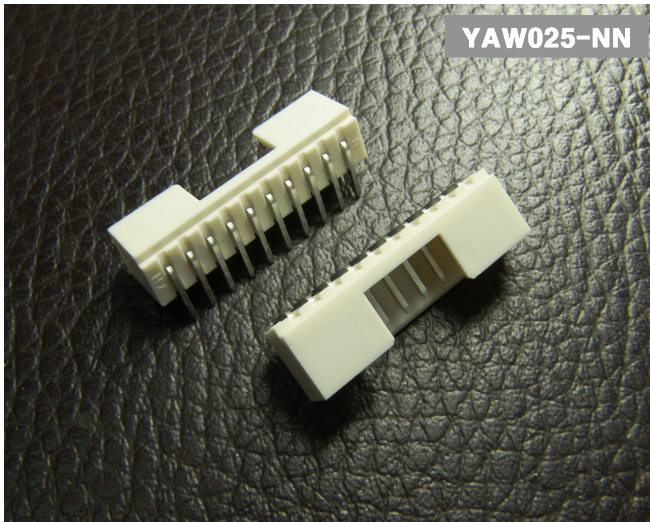


# 2.50mm

(0.098") PITCH CONNECTOR



## Material

I/NO	DESCRIPTION	MATERIAL
1	WAFER	NYLON 66, UL94V-0
2	PIN	Brass, Tin-plated

**Wire to Board  
Connectors**

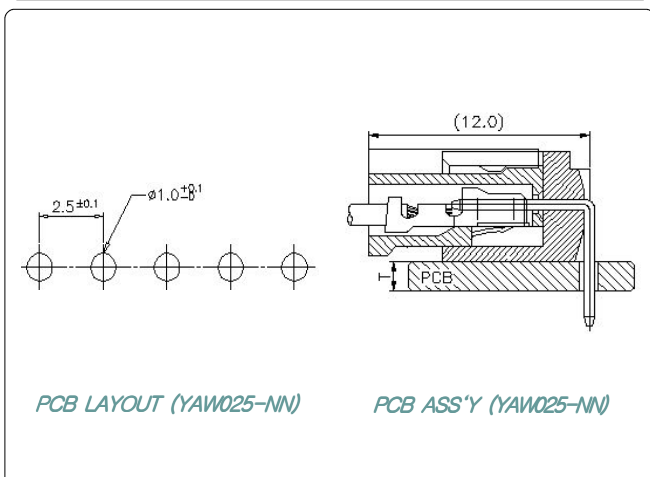
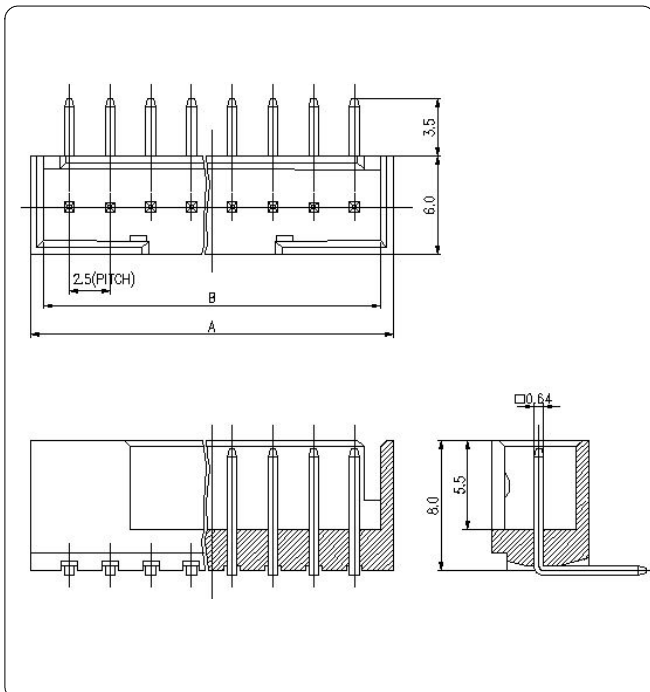
**Wafer**

Dip  
Type

Right  
Angle

## Available Pin

PARTS NO.	A	B
YAW025-02	7.3	2.5
YAW025-03	9.8	5.0
YAW025-04	12.3	7.5
YAW025-05	14.8	10.0
YAW025-06	17.3	12.5
YAW025-07	19.8	15.0
YAW025-08	22.3	17.5
YAW025-09	24.8	20.0
YAW025-10	27.3	22.5
YAW025-11	29.8	25.0
YAW025-12	32.3	27.5
YAW025-13	34.8	30.0
YAW025-14	37.3	32.5
YAW025-15	39.8	35.0



## Specification

ITEM	SPEC
Voltage Rating	AC/DC 250V
Current Rating	AC/DC 3A
Operating Temperature	-25°C ~ +85°C
Contact Resistance	30mΩ MAX
Withstanding Voltage	AC1000V/1min
Insulation Resistance	1000MΩ MIN
Applicable Wire	-
Applicable P.C.B	1.2 ~ 1.6mm
Applicable FPC/FFC	-
Solder Height	-
Crimp Tensile Strength	-
UL FILE NO	E108706