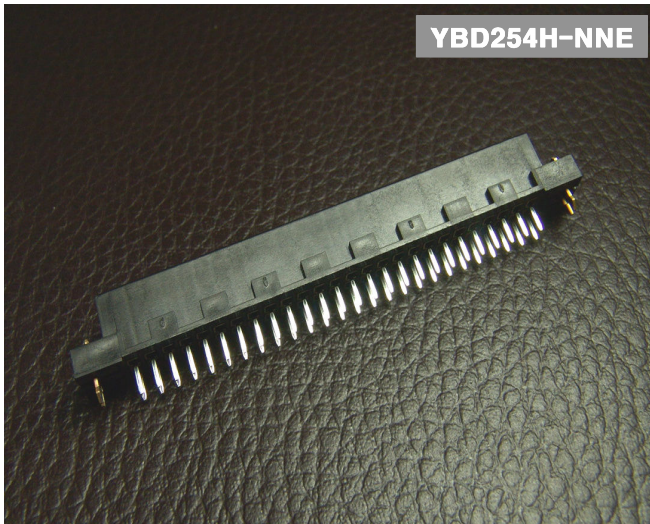


# 2.54mm

## (0.100") PITCH CONNECTOR



**YBD254H-NNE**

### Material

I/NO	DESCRIPTION	MATERIAL
1	HOUSING	P.B.T, UL94V-0
2	TERMINAL	Phosphor Bronze, Tin-plated
3	HOOK	Brass, Tin-plated

**Board to Board  
Connectors**

**Housing**

Dip  
Type

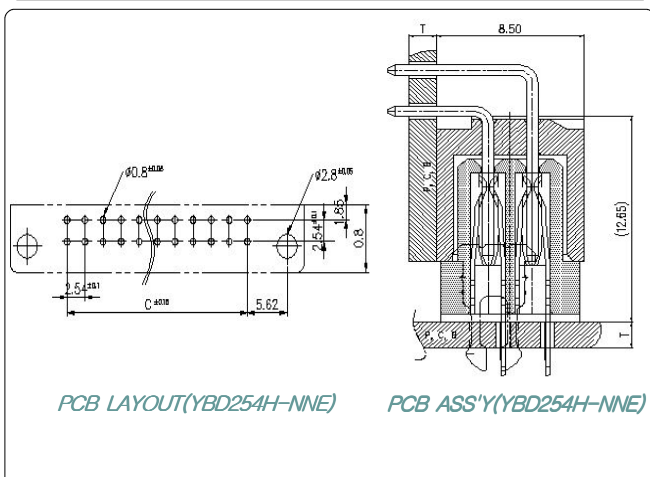
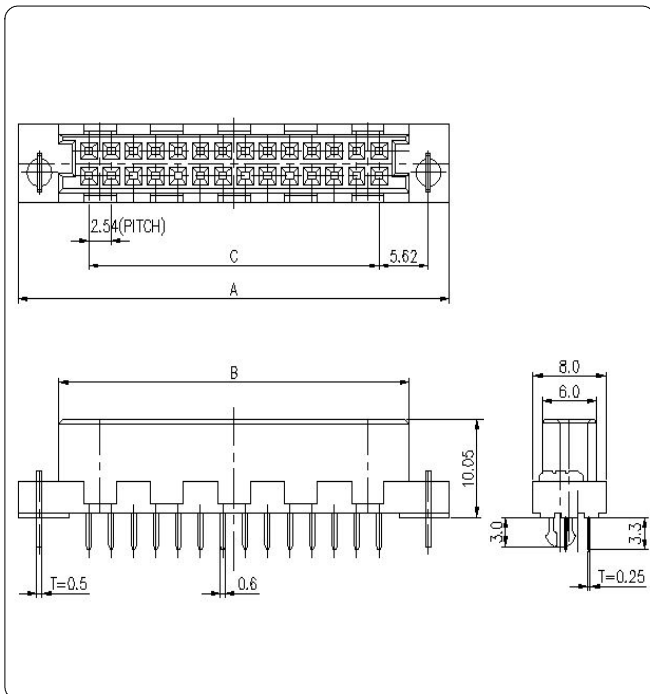
Straight

### Available Pin

PARTS NO.	A	B	C
YBD254H-52E	79.54	70.34	63.5

### Specification

ITEM	SPEC
Voltage Rating	AC/DC 300V
Current Rating	AC/DC 2A
Operating Temperature	-25°C~+85°C
Contact Resistance	30mΩ MAX
Withstanding Voltage	AC1000V/1min
Insulation Resistance	1000MΩ MIN
Applicable Wire	-
Applicable P.C.B	1.2~1.6mm
Applicable FPC/FFC	-
Solder Height	-
Crimp Tensile Strength	-
UL FILE -NO	-



PCB LAYOUT(YBD254H-NNE)

PCB ASS'Y(YBD254H-NNE)