

2.00mm

(0.079") PITCH CONNECTOR



YDW200-NN

Material

I/NO	DESCRIPTION	MATERIAL
1	WAFER	NYLON 66, UL94V-0
2	PIN	Brass, Tin-plated

Wire to Board Connectors

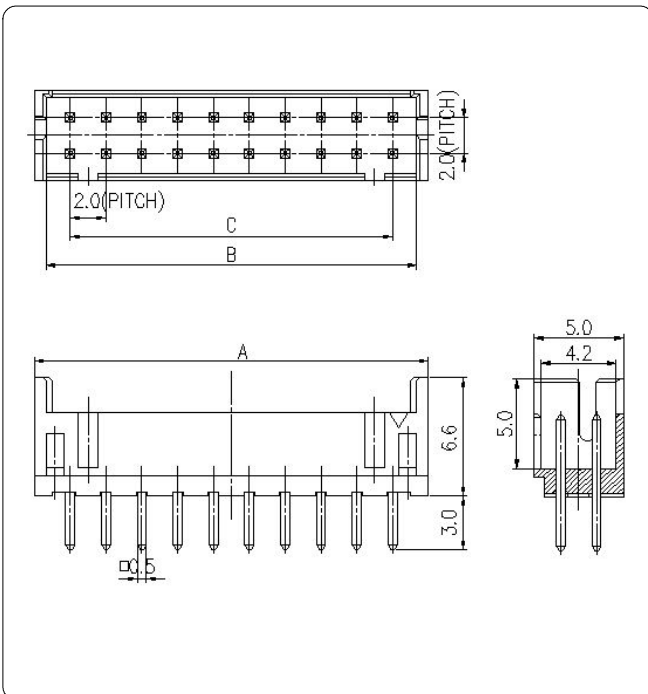
Wafer

Dip Type

Straight

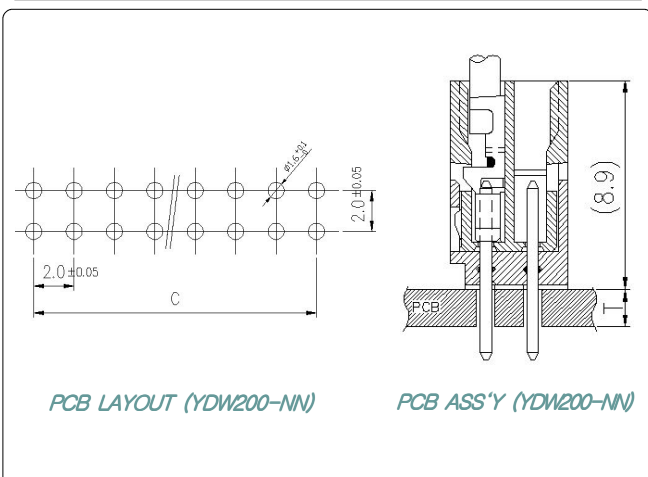
Available Pin

PARTS NO.	A	B	C
YDW200-04	6.0	4.7	2.0
YDW200-06	8.0	6.7	4.0
YDW200-08	10.0	8.7	6.0
YDW200-10	12.0	10.7	8.0
YDW200-12	14.0	12.7	10.0
YDW200-14	16.0	14.7	12.0
YDW200-16	18.0	16.7	14.0
YDW200-18	20.0	18.7	16.0
YDW200-20	22.0	20.7	18.0
YDW200-22	24.0	22.7	20.0
YDW200-24	26.0	24.7	22.0
YDW200-26	28.0	26.7	24.0
YDW200-28	30.0	28.7	26.0
YDW200-30	32.0	30.7	28.0
YDW200-32	34.0	32.7	30.0



Specification

ITEM	SPEC
Voltage Rating	AC/DC 250V
Current Rating	AC/DC 3A
Operating Temperature	-25°C~+85°C
Contact Resistance	30mΩ MAX
Withstanding Voltage	AC1000V/1min
Insulation Resistance	1000MΩ MIN
Applicable Wire	-
Applicable P.C.B	1.2~1.6mm
Applicable FPC/FFC	-
Solder Height	-
Crimp Tensile Strength	-
UL FILE NO	E108706



PCB LAYOUT (YDW200-NN)

PCB ASS'Y (YDW200-NN)