

# 8.00mm

## (0.315") PITCH CONNECTOR



YDW236-NN

### Material

I/NO	DESCRIPTION	MATERIAL
1	WAFER	PA 66, UL94V
2	PIN	Brass, Tin-plated

**Wire to Board  
Connectors**

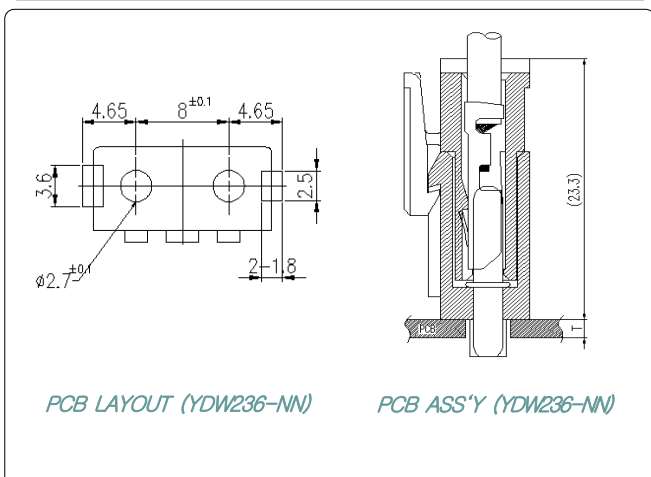
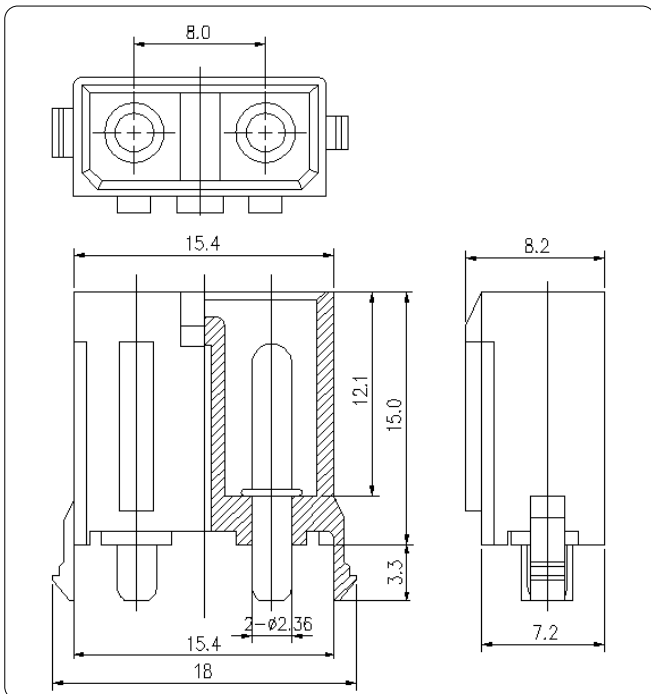
**Wafer**

Dip  
Type

Straight

### Specification

ITEM	SPEC
Voltage Rating	AC/DC 250V
Current Rating	AC/DC 7A
Operating Temperature	-25°C~+85°C
Contact Resistance	30mΩ MAX
Withstanding Voltage	AC500V/1min
Insulation Resistance	500MΩ MIN
Applicable Wire	-
Applicable P.C.B	1.2~1.6mm
Applicable FPC/FFC	-
Solder Height	-
Crimp Tensile Strength	-
UL FILE NO	E108706



PCB LAYOUT (YDW236-NN)

PCB ASS'Y (YDW236-NN)