

2.50mm

(0.098") PITCH CONNECTOR



Material

I/NO	DESCRIPTION	MATERIAL
1	WAFER	NYLON 66, UL94V-0, GF 10%
2	PIN	Brass, Tin-plated

**Wire to Board
Connectors**

Wafer

Dip
Type

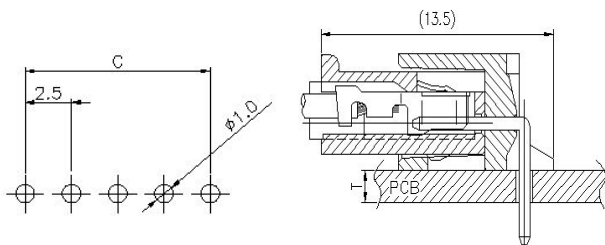
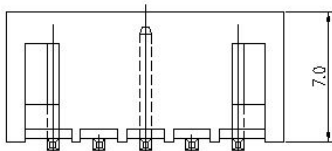
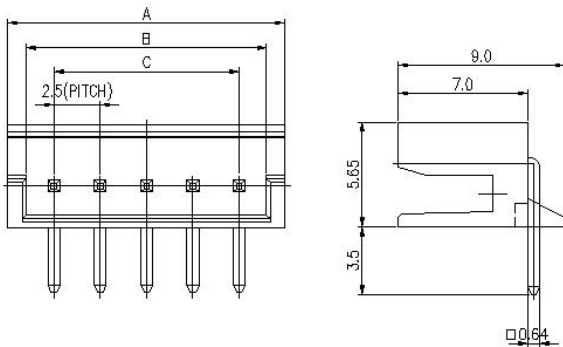
Right
Angle

Available Pin

PARTS NO.	A	B	C
YEAW250-02	7.45	5.5	2.5
YEAW250-03	9.95	8.0	5.0
YEAW250-04	12.45	10.5	7.5
YEAW250-05	14.95	13.0	10.0
YEAW250-06	17.45	15.5	12.5
YEAW250-07	19.95	18.0	15.0
YEAW250-08	22.45	20.5	17.5
YEAW250-09	24.95	23.0	20.0
YEAW250-10	27.45	25.5	22.5
YEAW250-11	29.95	28.0	25.0
YEAW250-12	32.45	30.5	27.5

Specification

ITEM	SPEC
Voltage Rating	AC/DC 250V
Current Rating	AC/DC 3A
Operating Temperature	-25 °C ~ +85 °C
Contact Resistance	30mΩ MAX
Withstanding Voltage	AC1000V/1min
Insulation Resistance	1000MΩ MIN
Applicable Wire	-
Applicable P.C.B	1.2~1.6mm
Applicable FPC/FFC	-
Solder Height	-
Crimp Tensile Strength	-
UL FILE NO	-



PCB LAYOUT (YEAW250-NN)

PCB ASS'Y (YEAW250-NN)