

2.5mm

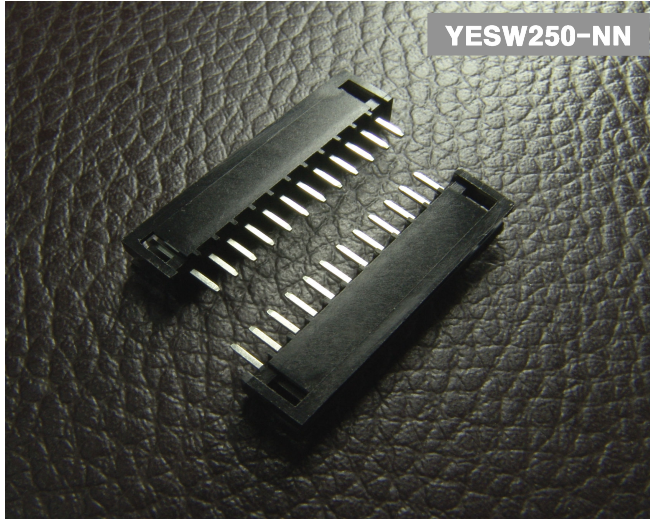
(0.098'') PITCH CONNECTOR

Wire to Board Connectors

Wafer

Straight

Dip Type

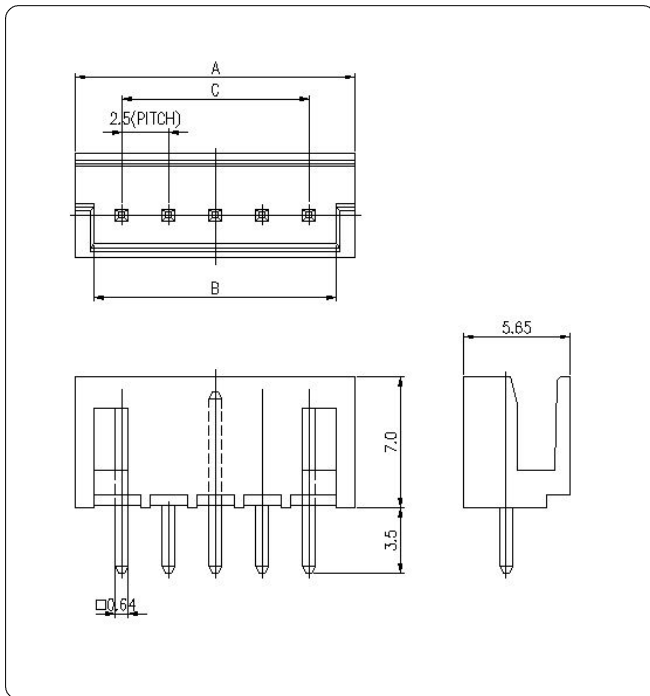


Material

I/NO	DESCRIPTION	MATERIAL
1	WAFER	NYLON 66, GF10%
2	PIN	Brass, Tin-plated

Available Pin

PARTS NO.	A	B	C
YESW250-02	7.45	5.5	2.5
YESW250-03	9.95	8.0	5.0
YESW250-04	12.45	10.5	7.5
YESW250-05	14.95	13.0	10.0
YESW250-06	17.45	15.5	12.5
YESW250-07	19.95	18.0	15.0
YESW250-08	22.45	20.5	17.5
YESW250-09	24.95	23.0	20.0
YESW250-10	27.45	25.5	22.5
YESW250-11	29.95	28.0	25.0
YESW250-12	32.45	30.5	27.5



Specification

ITEM	SPEC
Voltage Rating	AC/DC 250V
Current Rating	AC/DC 3A
Operating Temperature	-25°C ~ +85°C
Contact Resistance	30mΩ MAX
Withstanding Voltage	AC1000V/1min
Insulation Resistance	1000MΩ MIN
Applicable Wire	-
Applicable P.C.B	1.2 ~ 1.6mm
Applicable FPC/FFC	-
Solder Height	-
Crimp Tensile Strength	-
UL FILE NO	-

