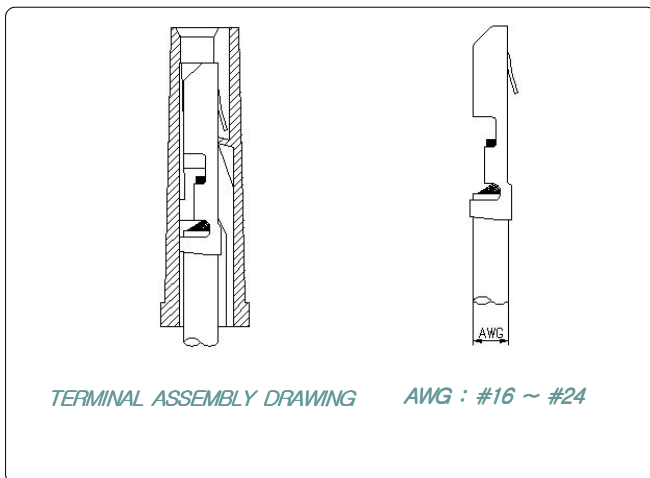
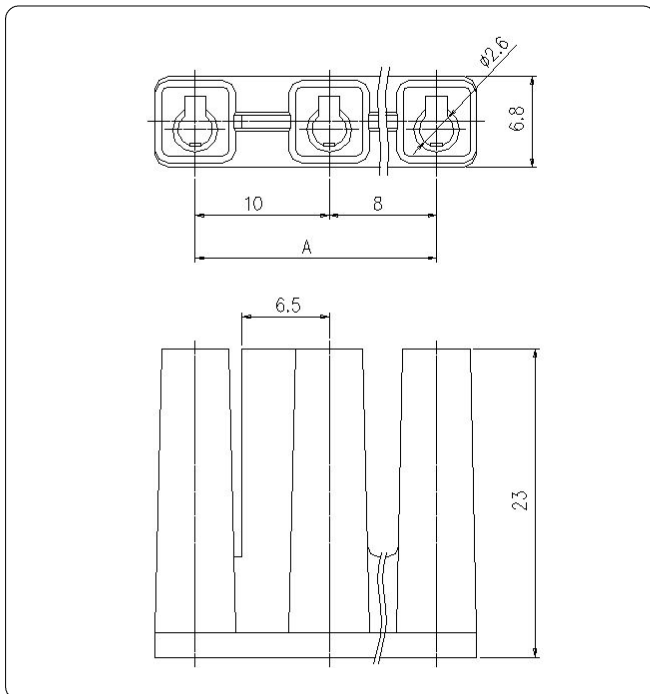
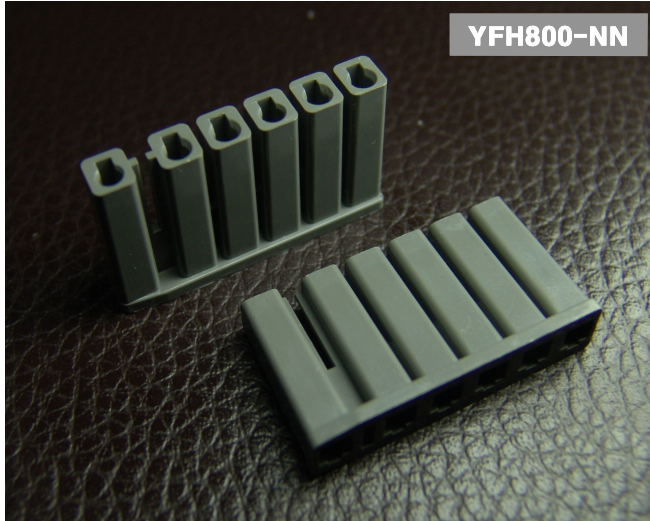


8.00mm

(0.315'') PITCH CONNECTOR

Wire to Board Connectors

Housing



Material

I/NO	DESCRIPTION	MATERIAL
1	HOUSING	PA 66, UL94V-0

Available Pin

PARTS NO.	A
YFH800-01	-
YFH800-02	10.0
YFH800-03	18.0
YFH800-04	26.0
YFH800-05	34.0
YFH800-06	42.0

Specification

ITEM	SPEC
Voltage Rating	AC/DC 250V
Current Rating	AC/DC 7A
Operating Temperature	-25°C~+85°C
Contact Resistance	30mΩ MAX
Withstanding Voltage	AC1500V/1min
Insulation Resistance	1000MΩ MIN
Applicable Wire	AWG #16~#24
Applicable P.C.B	-
Applicable FPC/FFC	-
Solder Height	-
Crimp Tensile Strength	-
UL FILE NO	E108706

◆ Applicable Terminal : YDT236