

# OTHER

## Dy Connector

Wafer

Straight Dip Type



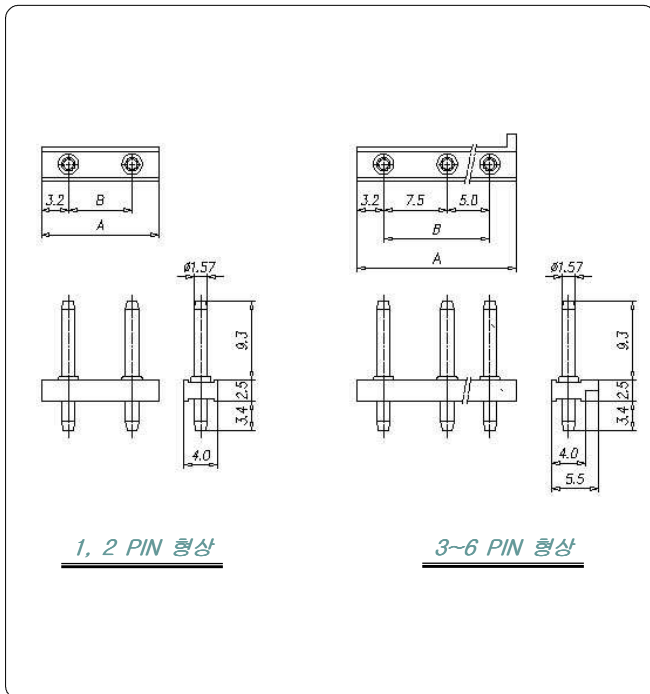
YFW500-NN

### Material

I/NO	DESCRIPTION	MATERIAL
1	WAFER	NYLON 66, UL94V-0
2	PIN	Brass, Ag/Sn-plated

### Available Pin

PARTS NO.	A	B
YFW500-01	6.4	-
YFW500-02	13.9	7.5
YFW500-03	18.9	12.5
YFW500-04	23.9	17.5
YFW500-05	28.9	22.5
YFW500-06	33.9	27.5

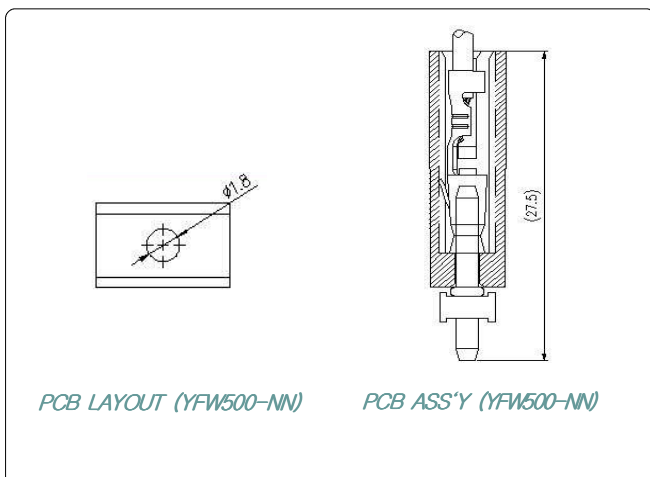


1, 2 PIN 형상

3~6 PIN 형상

### Specification

ITEM	SPEC
Voltage Rating	AC/DC 250V
Current Rating	AC/DC 5A
Operating Temperature	-25°C~+85°C
Contact Resistance	30mΩ MAX
Withstanding Voltage	AC1500V/1min
Insulation Resistance	1000MΩ MIN
Applicable Wire	-
Applicable P.C.B	1.2 ~ 1.6mm
Applicable FPC/FFC	-
Solder Height	-
Crimp Tensile Strength	-
UL FILE NO	-



PCB LAYOUT (YFW500-NN)

PCB ASS'Y (YFW500-NN)