

8.00mm

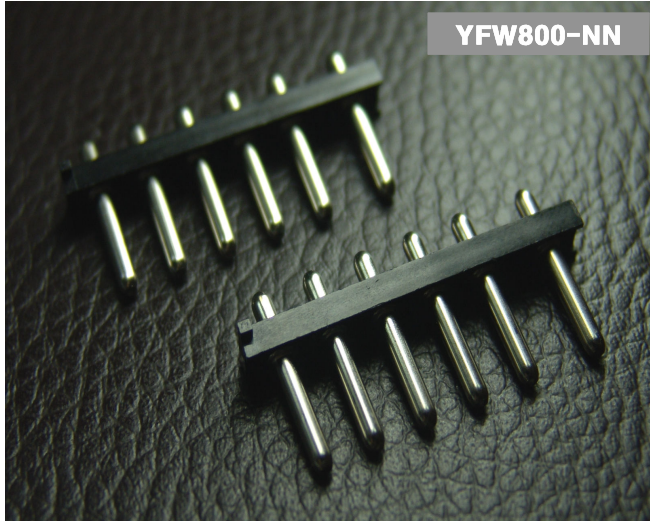
(0.315") PITCH CONNECTOR

Wire to Board Connectors

Wafer

Straight

Dip Type



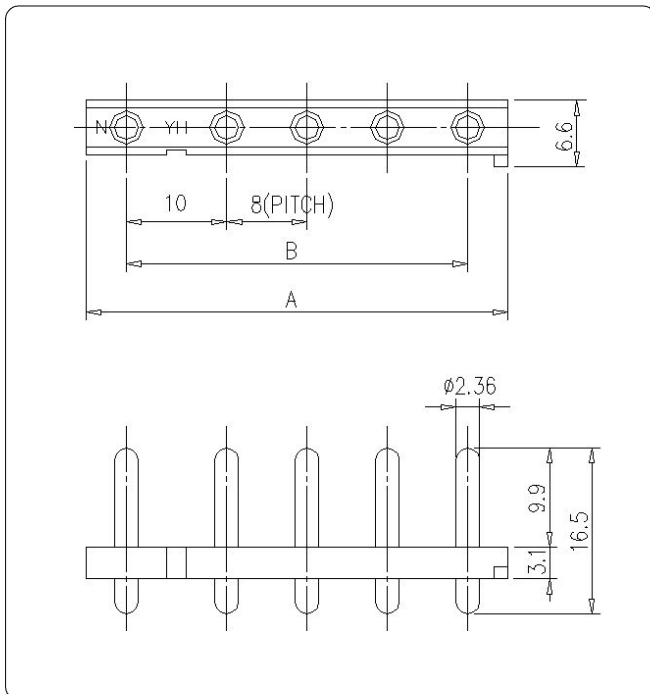
YFW800-NN

Material

| I/NO | DESCRIPTION | MATERIAL |
|------|-------------|--------------------------|
| 1 | WAFER | NYLON 66(GF15%), UL94V-0 |
| 2 | PIN | Brass, Tin-plated |

Available Pin

| PARTS NO. | A | B |
|-----------|------|------|
| YFW800-01 | 8.0 | - |
| YFW800-02 | 18.0 | 10.0 |
| YFW800-03 | 26.0 | 18.0 |
| YFW800-04 | 34.0 | 26.0 |
| YFW800-05 | 42.0 | 34.0 |
| YFW800-06 | 50.0 | 42.0 |



Specification

| ITEM | SPEC |
|------------------------|--------------|
| Voltage Rating | AC/DC 250V |
| Current Rating | AC/DC 7A |
| Operating Temperature | -25°C~+85°C |
| Contact Resistance | 30mΩ MAX |
| Withstanding Voltage | AC1500V/1min |
| Insulation Resistance | 1000MΩ MIN |
| Applicable Wire | - |
| Applicable P.C.B | 1.2 ~ 1.6mm |
| Applicable FPC/FFC | - |
| Solder Height | - |
| Crimp Tensile Strength | - |
| UL FILE NO | E108706 |

