

2.5mm

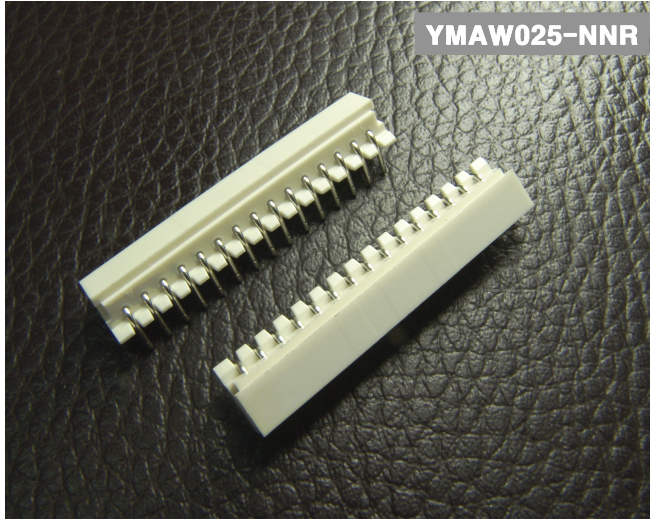
(0.098'') PITCH CONNECTOR

Wire to Board Connectors

Wafer

Right Angle

Dip Type

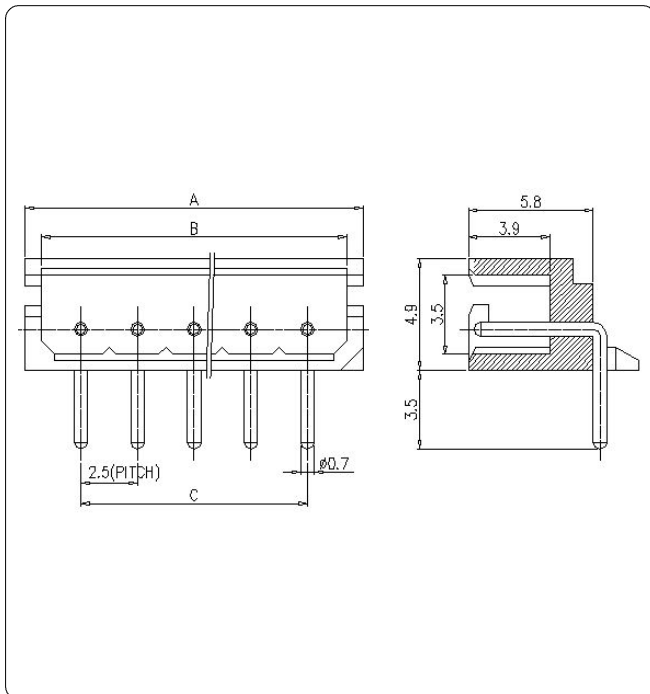


Material

I/NO	DESCRIPTION	MATERIAL
1	WAFER	NYLON 66, UL94V-0
2	PIN	Brass, Tin-plated

Available Pin

PARTS NO.	A	B	C
YMAW025-02R	7.4	6.0	2.5
YMAW025-03R	9.9	8.5	5.0
YMAW025-04R	12.4	11.0	7.5
YMAW025-05R	14.9	13.5	10.0
YMAW025-06R	17.4	16.0	12.5
YMAW025-07R	19.9	18.5	15.0
YMAW025-08R	22.4	21.0	17.5
YMAW025-09R	24.9	23.5	20.0
YMAW025-10R	27.4	26.0	22.5
YMAW025-11R	29.9	28.5	25.0
YMAW025-12R	32.4	31.0	27.5
YMAW025-13R	34.9	33.5	30.0
YMAW025-14R	37.4	36.0	32.5
YMAW025-15R	39.9	38.5	35.0



Specification

ITEM	SPEC
Voltage Rating	AC/DC 250V
Current Rating	AC/DC 3A
Operating Temperature	-25°C ~ +85°C
Contact Resistance	30mΩ MAX
Withstanding Voltage	AC1000V/1min
Insulation Resistance	1000MΩ MIN
Applicable Wire	-
Applicable P.C.B	1.2 ~ 1.6mm
Applicable FPC/FFC	-
Solder Height	-
Crimp Tensile Strength	-
UL FILE NO	-

