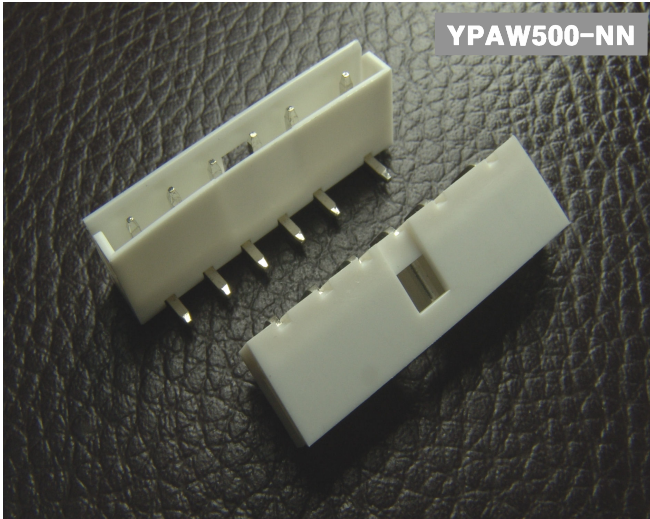


# 5.00mm

## (0.196") PITCH CONNECTOR



### Material

I/NO	DESCRIPTION	MATERIAL
1	WAFER	NYLON 66, UL94V-0
2	PIN	Brass, Tin-plated

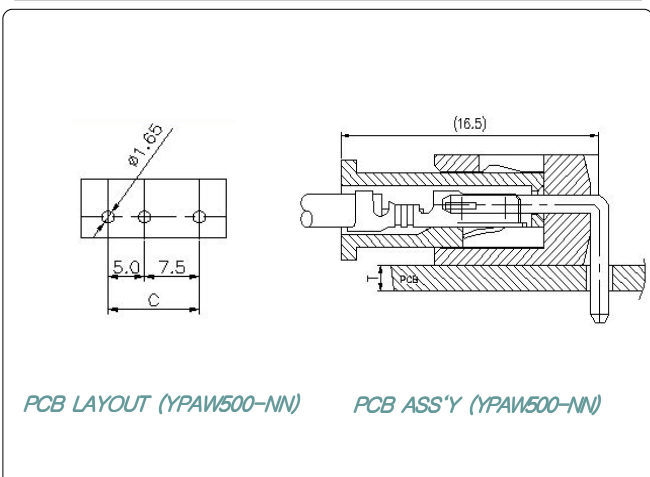
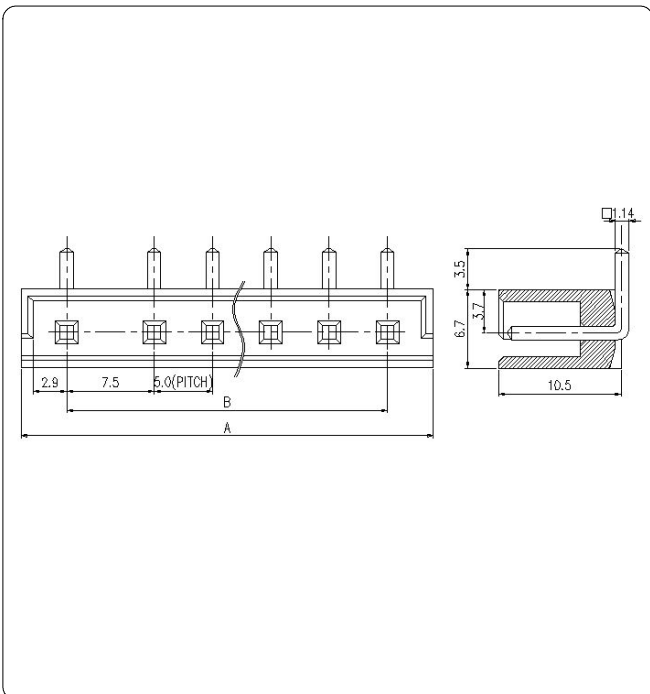
### Wire to Board Connectors

### Wafer

### Available Pin

PARTS NO.	A	B
YPAW500-02	15.3	7.5
YPAW500-03	20.3	12.5
YPAW500-04	25.3	17.5
YPAW500-05	30.3	22.5
YPAW500-06	35.3	27.5

Dip Type Right Angle



### Specification

ITEM	SPEC
Voltage Rating	AC/DC 250V
Current Rating	AC/DC 5A
Operating Temperature	-25°C ~ +85°C
Contact Resistance	30mΩ MAX
Withstanding Voltage	AC1000V/1min
Insulation Resistance	1000MΩ MIN
Applicable Wire	-
Applicable P.C.B	1.2 ~ 1.6mm
Applicable FPC/FFC	-
Solder Height	-
Crimp Tensile Strength	-
UL FILE NO	E108706