

# 5.00mm

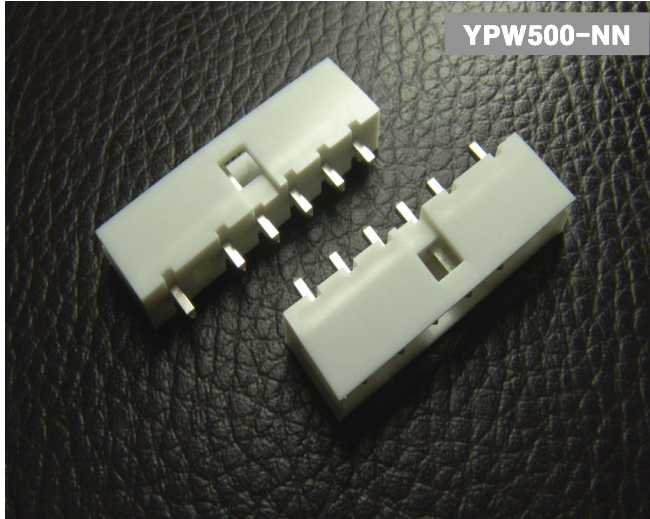
(0.196'') PITCH CONNECTOR

## Wire to Board Connectors

Wafer

Straight

Dip Type

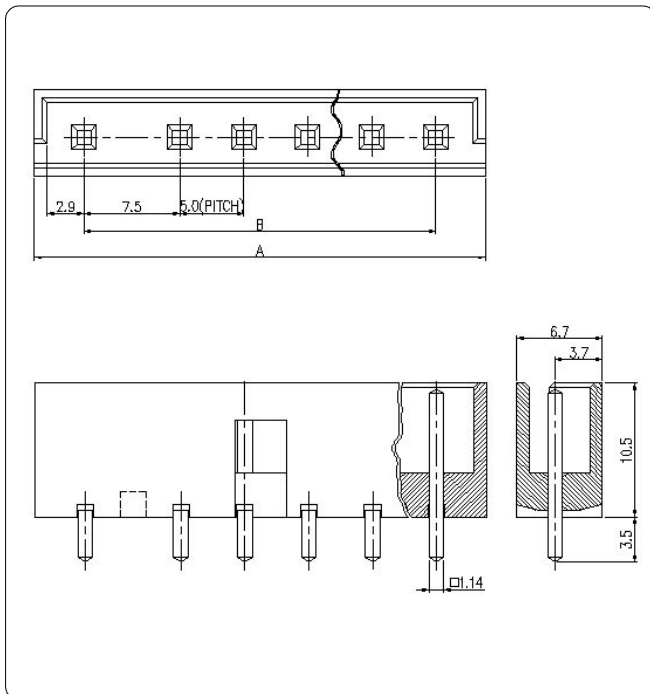


### Material

I/NO	DESCRIPTION	MATERIAL
1	WAFER	NYLON 66, UL94V-0
2	PIN	Brass, Tin-plated

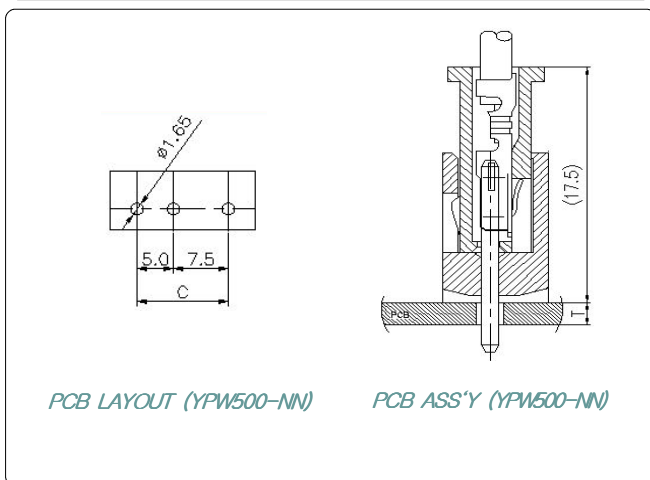
### Available Pin

PARTS NO.	A	B
YPW500-02	15.3	7.5
YPW500-03	20.3	12.5
YPW500-04	25.3	17.5
YPW500-05	30.3	22.5
YPW500-06	35.3	27.5



### Specification

ITEM	SPEC
Voltage Rating	AC/DC 250V
Current Rating	AC/DC 5A
Operating Temperature	-25°C~+85°C
Contact Resistance	30mΩ MAX
Withstanding Voltage	AC1000V/1min
Insulation Resistance	1000MΩ MIN
Applicable Wire	-
Applicable P.C.B	1.2 ~ 1.6mm
Applicable FPC/FFC	-
Solder Height	-
Crimp Tensile Strength	-
UL FILE NO	E108706



PCB LAYOUT (YPW500-NN)

PCB ASS'Y (YPW500-NN)