

2.5mm

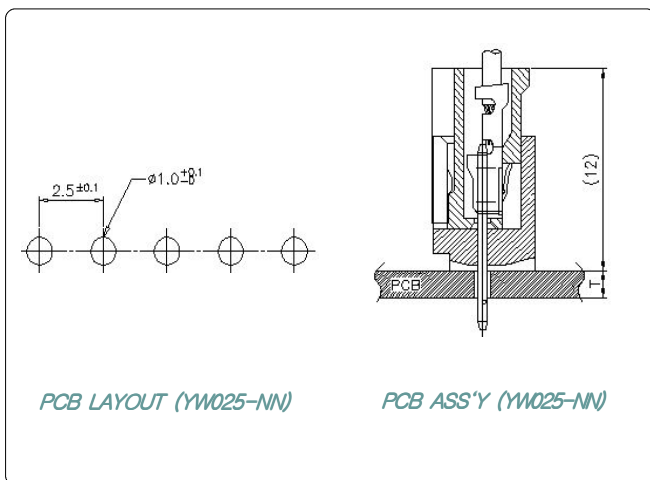
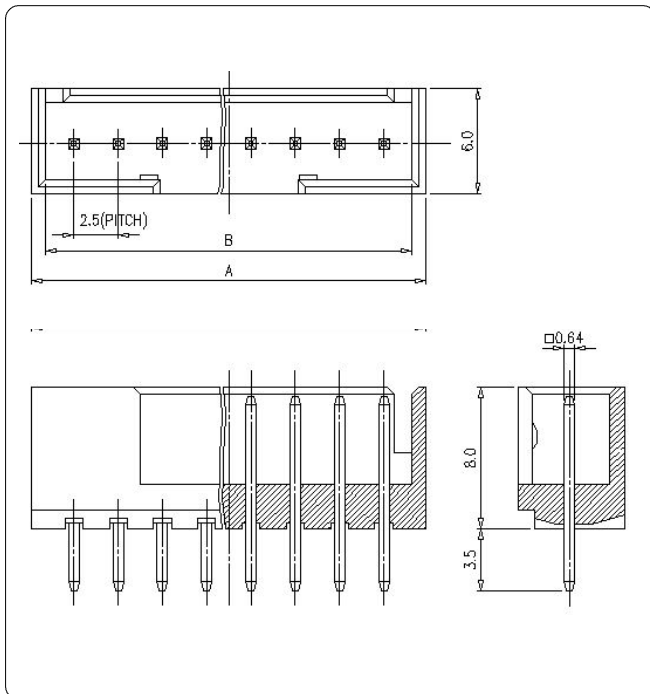
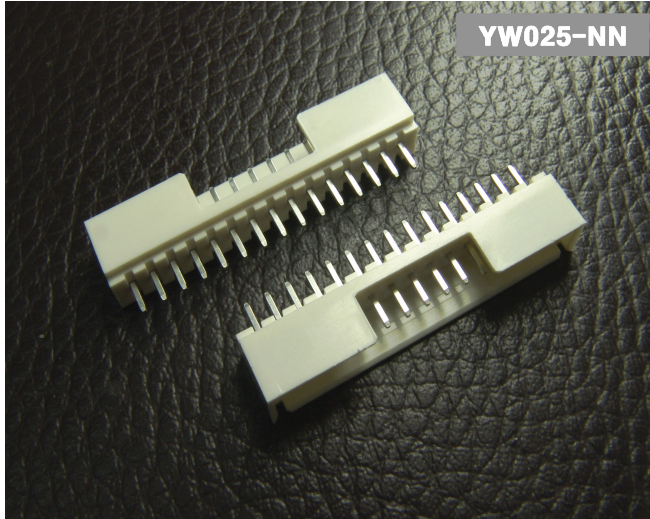
(0.098'') PITCH CONNECTOR

Wire to Board Connectors

Wafer

Straight

Dip Type



Material

I/NO	DESCRIPTION	MATERIAL
1	WAFER	NYLON 66, UL94V-0
2	PIN	Brass, Tin-plated

Available Pin

PARTS NO.	A	B
YW025-02	7.3	2.5
YW025-03	9.8	5.0
YW025-04	12.3	7.5
YW025-05	14.8	10.0
YW025-06	17.3	12.5
YW025-07	19.8	15.0
YW025-08	22.3	17.5
YW025-09	24.8	20.0
YW025-10	27.3	22.5
YW025-11	29.8	25.0
YW025-12	32.3	27.5
YW025-13	34.8	30.0
YW025-14	37.3	32.5
YW025-15	39.8	35.0

Specification

ITEM	SPEC
Voltage Rating	AC/DC 250V
Current Rating	AC/DC 3A
Operating Temperature	-25°C~+85°C
Contact Resistance	30mΩ MAX
Withstanding Voltage	AC1000V/1min
Insulation Resistance	1000MΩ MIN
Applicable Wire	-
Applicable P.C.B	1.2 ~ 1.6mm
Applicable FPC/FFC	-
Solder Height	-
Crimp Tensile Strength	-
UL FILE NO	E108706